



Buy it for looks. Buy it for life.®

# Specifications

*There is more than 1 version of this model.  
Page down to identify the version you have.*

## DESCRIPTION

- Metal Construction with chrome plated finish
- Pressure balancing cycle valve design with an adjustable temperature limit stop
- 1/2" CC connections
- Includes showerhead, arm, flange and diverter tub spout

## OPERATION

- Lever style Handle
- Handle operates counterclockwise through a 270° arc with off at 6 o'clock and maximum hot at the 9 o'clock position. Shut off in clockwise direction
- Adjustable temperature limit stop to control maximum hot water temperature
- Pressure balancing mechanism maintains selected discharge temperature to  $\pm 3^\circ$

## FLOW

- Showerhead is limited to 2.5 gpm (9.5 L/min) Max

## CARTRIDGE

- 1222 cartridge design
- Nonmetallic/nonferrous and stainless steel materials
- Accommodates back to back installations

## STANDARDS

### STANDARDS

- Third party certified to meet CSA B125.1, ASSE 1016, ASME A112.18.1, ANSI A117.1 and all applicable requirements referenced therein

- **ADA**  for lever handle

## WARRANTY

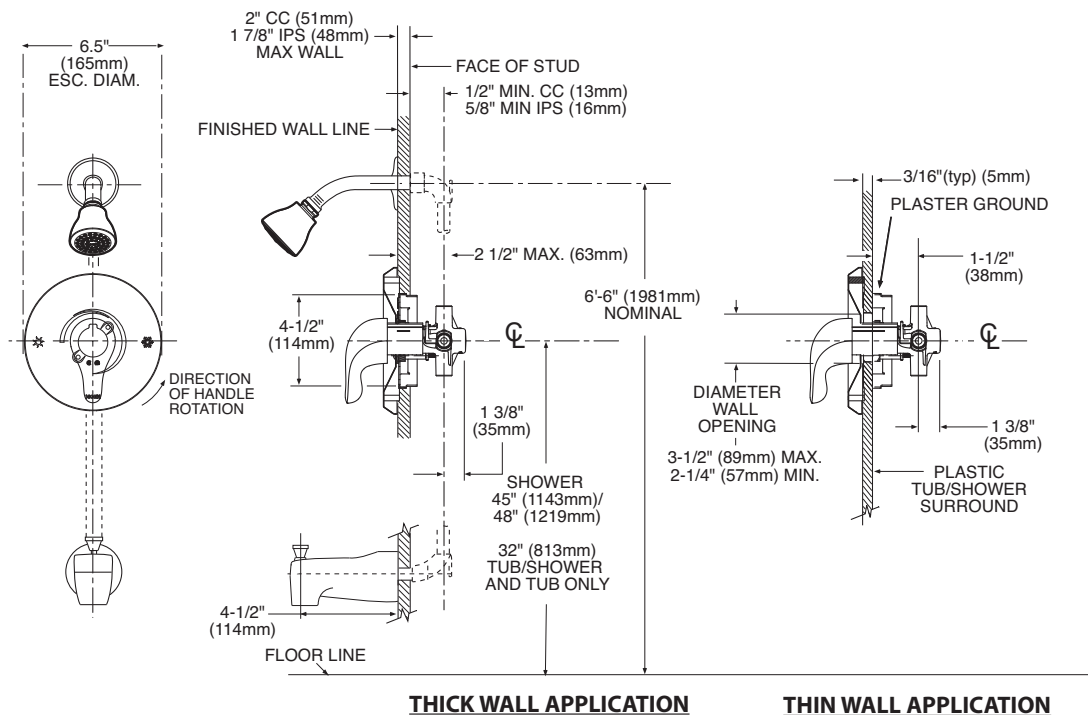
- Lifetime limited warranty against leaks, drips and finish defects to the original consumer purchaser
- 5 year warranty if used in commercial installations



## CHATEAU® POSI-TEMP® Single-Handle Tub/Shower Valve

**Model: L2353**

**Model: L2363 (with 1/4 Turn Stops)**





Buy it for looks. Buy it for life.®

# Specifications

## DESCRIPTION

- Metal Construction with chrome plated finish
- Pressure balancing cycle valve design with an adjustable temperature limit stop
- 1/2" CC connections
- Includes showerhead, arm, flange and diverter tub spout

## OPERATION

- Lever style Handle
- Handle operates counterclockwise through a 270° arc with off at 6 o'clock and maximum hot at the 9 o'clock position. Shut off in clockwise direction
- Adjustable temperature limit stop to control maximum hot water temperature
- Pressure balancing mechanism maintains selected discharge temperature to  $\pm 3^\circ$

## FLOW

- Showerhead is limited to 2.5 gpm (9.5 L/min) Max

## CARTRIDGE

- 1222 cartridge design
- Nonmetallic/nonferrous and stainless steel materials
- Accommodates back to back installations

## STANDARDS

### STANDARDS

- Third party certified to meet CSA B125.1, ASSE 1016, ASME A112.18.1, ANSI A117.1 and all applicable requirements referenced therein

- **ADA**  for lever handle

## WARRANTY

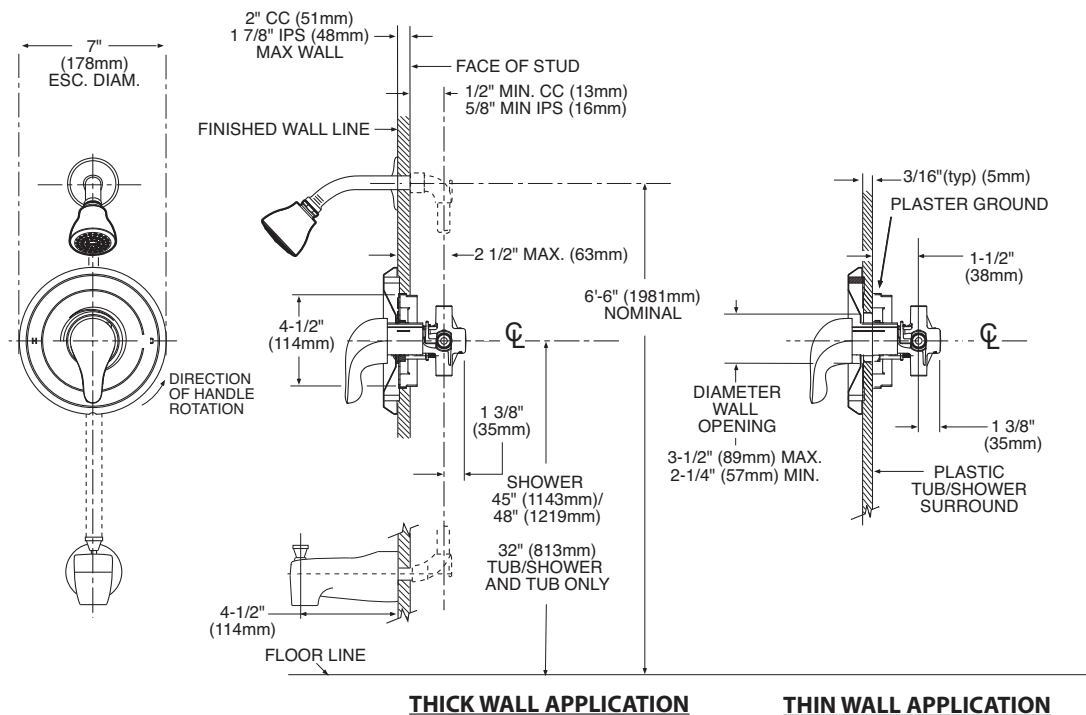
- Lifetime limited warranty against leaks, drips and finish defects to the original consumer purchaser
- 5 year warranty if used in commercial installations



## CHATEAU® POSI-TEMP® Single-Handle Tub/Shower Valve

Model: L2353

Model: L2363 (with 1/4 Turn Stops)



## CRITICAL DIMENSIONS

(DO NOT SCALE)