



Buy it for looks. Buy it for life.®

Specifications

There is more than 1 version of this model.
Page down to identify the version you have.

DESCRIPTION

- Metal construction with chrome plated finish
- Flexible supplies with 3/8" compression fittings
- Includes Protégé side spray

OPERATION

- Lever style handle
- Temperature controlled by 100° arc of handle travel
- Will operate with less than 5 lbs. of force

FLOW

- Spout flow is limited to 1.5 gpm (5.7 L/min) at 60 psi
- Diverted flow at side spray limited to 2.0 gpm max (7.6 L/min) at 60 psi

CARTRIDGE

- 1255™ Duralast™ cartridge

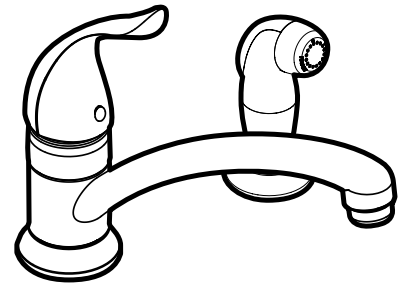
STANDARDS

- Third party certified to: IAPMO Green, CSA B125.1, ASME A112.18.1, and all applicable requirements referenced therein including NSF61/9
- Meets CalGreen and Georgia SB370 requirements
- Contains no more than 0.25% weighted average lead content
- Complies with California Proposition 65 and with the Federal Safe Drinking Water Act

- **ADA**  for lever handle

WARRANTY

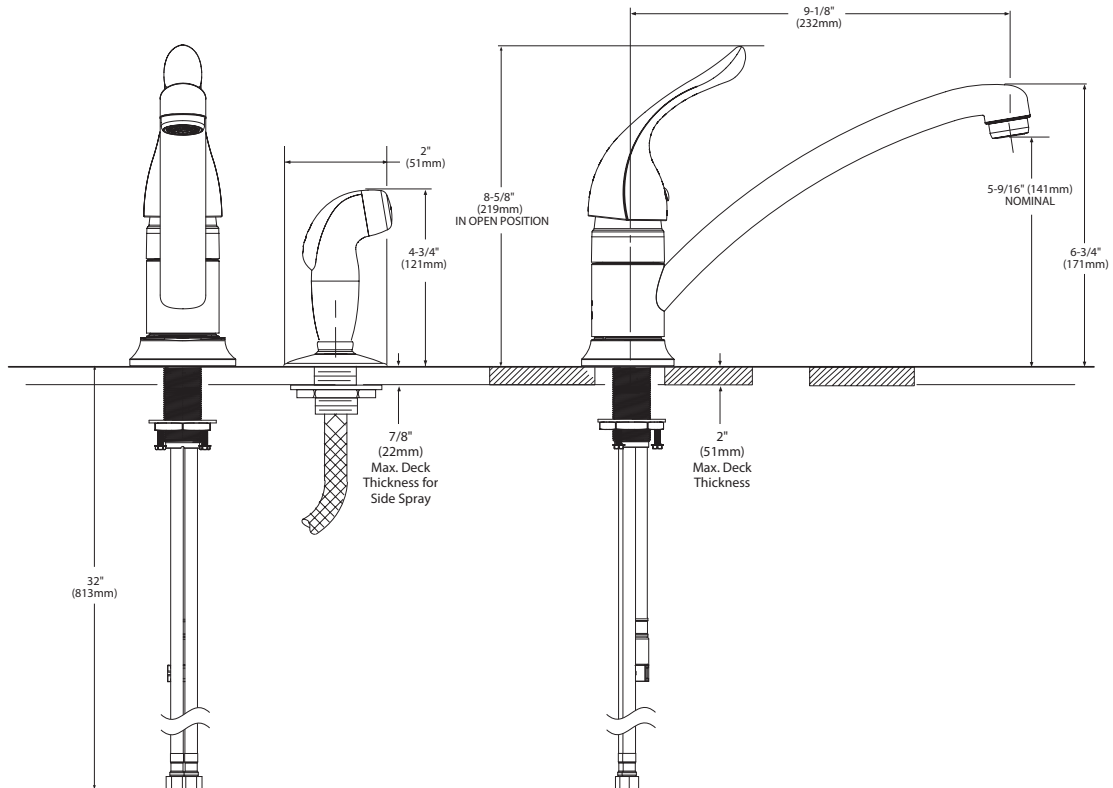
- Lifetime limited warranty against leaks, drips and finish defects to the original consumer purchaser
- 5 year warranty if used in commercial installations



CHATEAU® Single-Handle Kitchen Faucet

Model: 7423 less spray
7437 with spray

NOTE: DESIGNED TO INSTALL
THRU 2 HOLES 1-1/4" (32mm) MIN. DIA.
AND 4" (102mm) ON CENTER



CRITICAL DIMENSIONS

(DO NOT SCALE)