

DESCRIPTION

- Metal construction with a chrome plated or LifeShine® polished brass finish
- 1/2" IPS connections

OPERATION

- Knob style handles with hot and cold color indicators
- Rotate either handle counterclockwise to open and clockwise to close

FLOW

- Aerator is limited to 2.2 gpm max (8.3 L/min)

CARTRIDGE

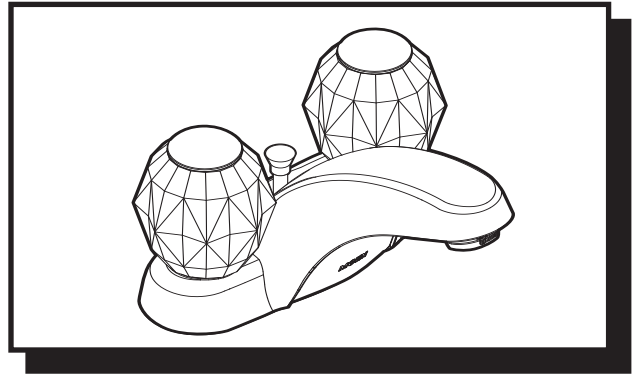
- 1224 cartridge design
- Nonmetallic and stainless steel material

STANDARDS

- Third party certified by CSA to meet CSA B-125 and ASME A112.18.1M and all applicable requirements referenced therein.
- Certified to ANSI/NSF 61/9
- Complies with California Proposition 65 and with the Federal Safe Water Drinking Act

WARRANTY

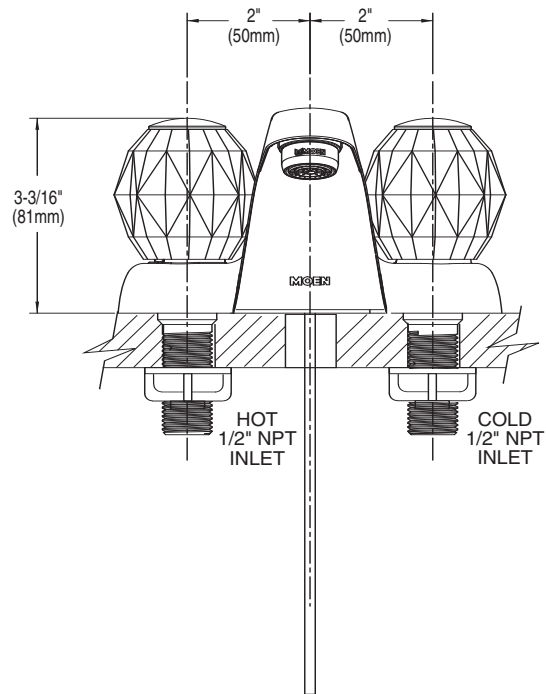
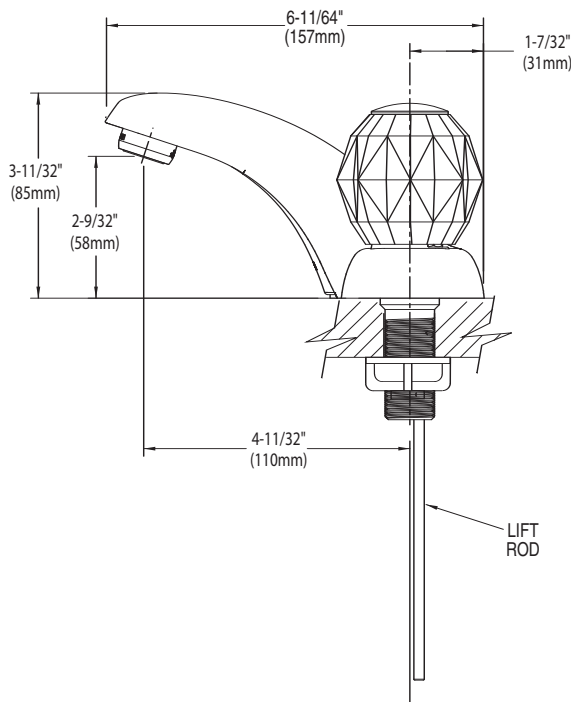
- Lifetime limited warranty against leaks, drips and finish defects to the original consumer purchaser
- 5 year warranty if used in commercial installations



CHATEAU® Two-Handle Lavatory Faucet

- Models:**
- 64900, less waste**
 - 64919, with metal pop-up waste assembly**
 - 64920, with 50/50 waste assembly**
 - 64920P, with with metal pop-up waste assembly**
- (Bulk Packed 12 per carton)**

**NOTE: Designed to be installed through
3 - 1" min. dia. holes 2" on center**



CRITICAL DIMENSIONS

(DO NOT SCALE)