



Buy it for looks. Buy it for life.®

# Specifications

## DESCRIPTION

- Metal construction with various finishes identified by suffix
- Includes 10" rainfall showerhead, arm, flange and diverter tub spout

## OPERATION

- Lever style handle with temperature indicator on the escutcheon
- Handle operates with counterclockwise rotation through a 270° arc with off at 6 o'clock and maximum hot at the 9 o'clock position. Shut off in clockwise direction.
- Adjustable temperature limit stop to control maximum hot water temperature
- Pressure balancing mechanism maintains selected discharge temperature to  $\pm 3.6^{\circ}\text{F}$  ( $\pm 2^{\circ}\text{C}$ )

## FLOW

- Showerhead is limited to 2.5 gpm max. (9.5 L/min)

## CARTRIDGE

- 1225 cartridge design
- Nonmetallic/nonferrous and stainless steel materials
- Accommodates back to back installations

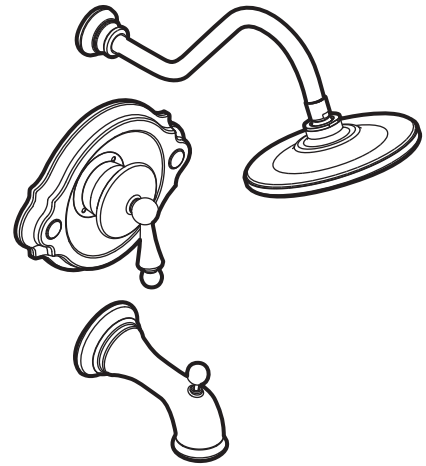
## STANDARDS

- Third party certified to CSA B125.1, ASME A112.18.1, ANSI A117.1, ASSE 1016, and all applicable requirements referenced therein

- **ADA**  for lever handle

**WARRANTY** • Lifetime limited warranty against leaks, drips and finish defects to the original consumer purchaser

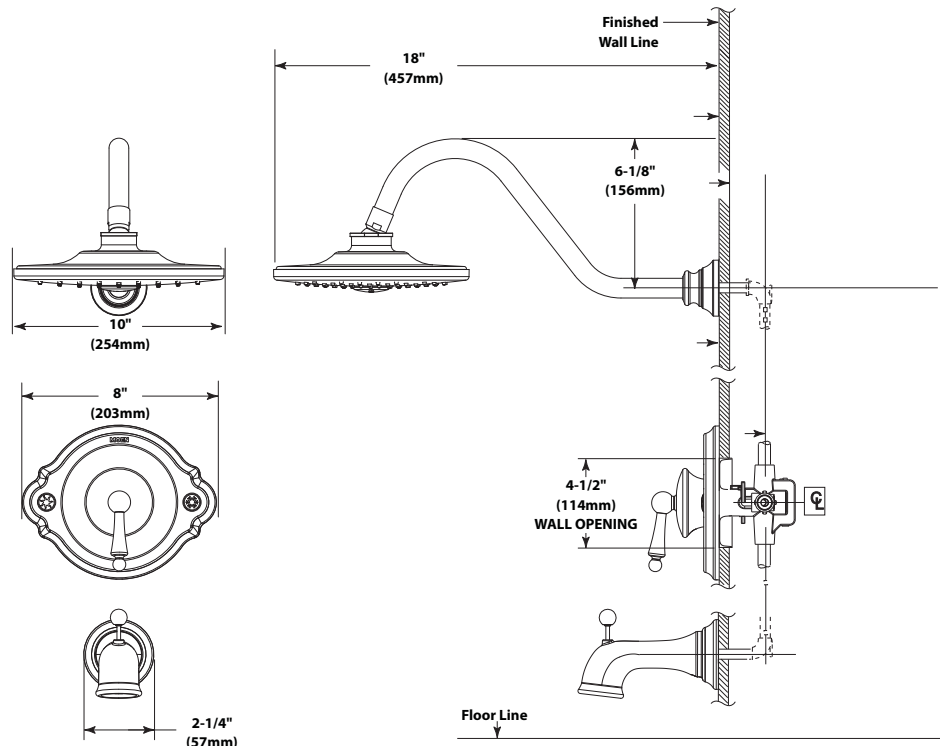
- 5 year warranty if used in commercial installations



## WATERHILL™ POSI-TEMP® Single-Handle Tub/Shower (Trim Only)

**Models:** TS310 series-valve trim only  
TS312 series-shower trim only  
TS314 series-tub/shower trim

**Valves:** 2500 series  
62300 series



## CRITICAL DIMENSIONS

(DO NOT SCALE)

FOR MORE INFORMATION CALL: 1-800-BUY-MOEN

[www.moen.com](http://www.moen.com)