



# Lil Max

Plastic Grease Interceptors

A cartoon illustration of a brown and white bulldog puppy sitting down, looking towards the viewer.

After over 30 years of experience manufacturing steel grease interceptors, MIFAB® has adapted its superior design to meet the changing market. Combining functionality and innovation, and backed by a *limited lifetime warranty*, MIFAB's Lil Max plastic grease interceptors were designed with the contractor in mind.



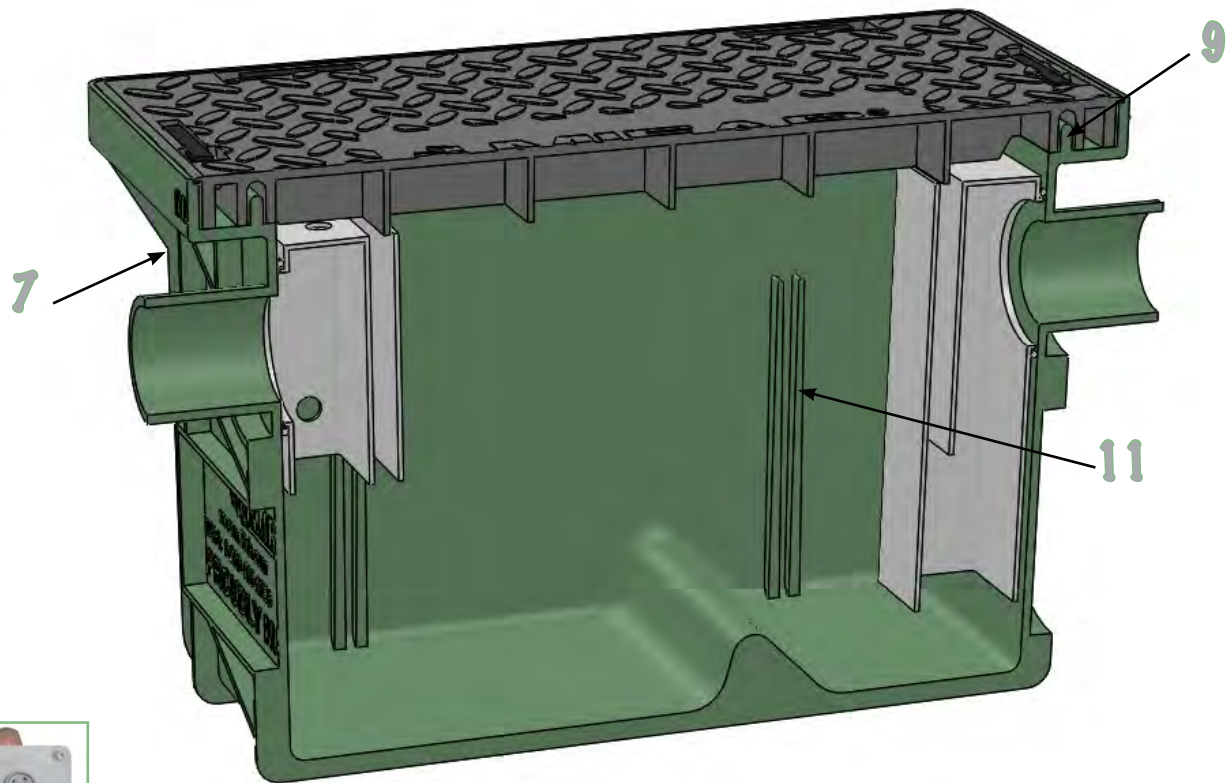
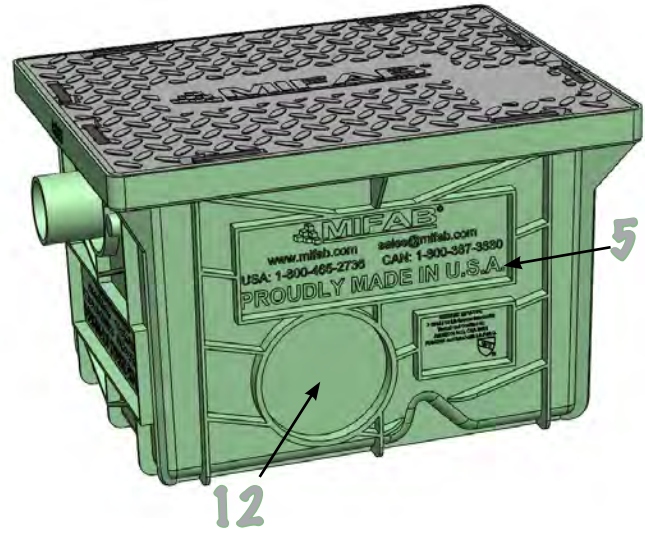
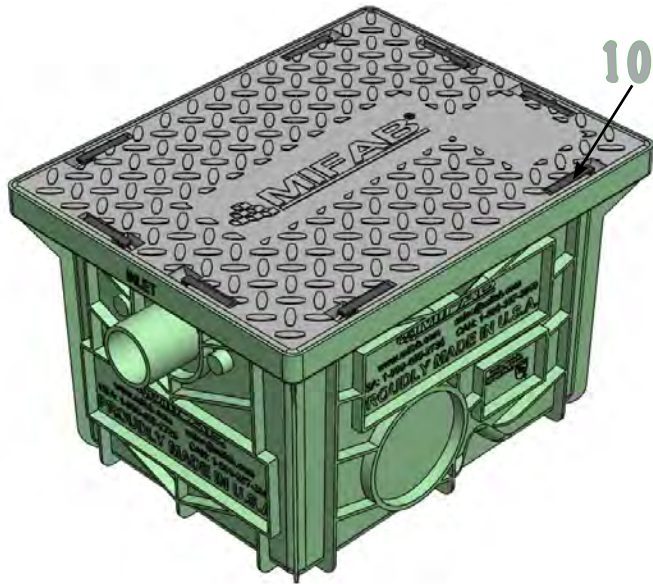
[www.mifab.com](http://www.mifab.com)  
LIT-075





# Lil Max

Plastic Grease Interceptors



High Level Alarm  
Illustrated  
(Specify suffix -HLA)

# Features & Benefits

## 1. External Vented Flow Control Fitting

All of MIFAB's PDI approved grease interceptors are supplied with an external, vented flow control fitting. Studies have proven that the use of an external, vented flow control fitting results in more effective grease interception because of the air introduced into the drain line through the vent in the top of the flow control fitting. As this air enters the interceptor, grease coats the resulting air bubbles and increases the efficiency of the grease rising to the surface.

## 2. Structural Integrity

Ribbed body design provides extra structural integrity for in ground installations. The body is manufactured in the USA out of seamless, rotationally molded Polypropylene with a 3/8" uniform wall thickness. The body is strong but lightweight, allowing it to be installed without the need of a backhoe or crane.

## 3. Approvals

All eight of the Lil Max plastic grease interceptors are being tested and will eventually be certified to the PDI G-101, ASME A112.14.3 and CSA B481 Standards and listed with IAPMO.

## 4. Options and Accessories

MIFAB's 32 years of experience with grease interceptors provides us with a superior knowledge of options and accessories often required with grease interceptors. We can expertly provide any of the following options: dosing pump, enzyme port, high level alarm, multiple inlet and outlet ports, sediment bucket and threaded connections.

## 5. Made in the USA

MIFAB's plastic grease and oil interceptors are made in the United States of America and meet the requirements of the Buy American Act.



## 6. Lifetime Warranty

MIFAB offers a **limited lifetime warranty** on all of our plastic grease and oil interceptors.

## 7. Lightweight

MIFAB's Lil Max plastic grease interceptors are injection molded with Polypropylene material. They weigh significantly less than steel grease interceptors and therefore are much easier to handle and install.

## 8. Individually Boxed Interceptors

Every Lil Max plastic grease interceptor is shipped to you in its own cardboard box for easy handling and protection of the product during shipping and handling.

## 9. Sealed Lid

The lid seaming gasket is located within the underside of the lid – not in the top of the interceptor. This prevents tearing and wear on the gasket and provides a more secure seal to minimize odors.

## 10. Easy to Remove Lid

The latches securing the lid to the body are easy to open and are made with an extra wide finger access area. No tools are required to open the lid of the Lil Max interceptors.

## 11. Easy to Clean

The internal baffles can be easily removed and the lid covers the entire open area of the inside of the interceptor for complete and unrestricted access to the interior of the interceptor for cleaning.

## 12. Modularity

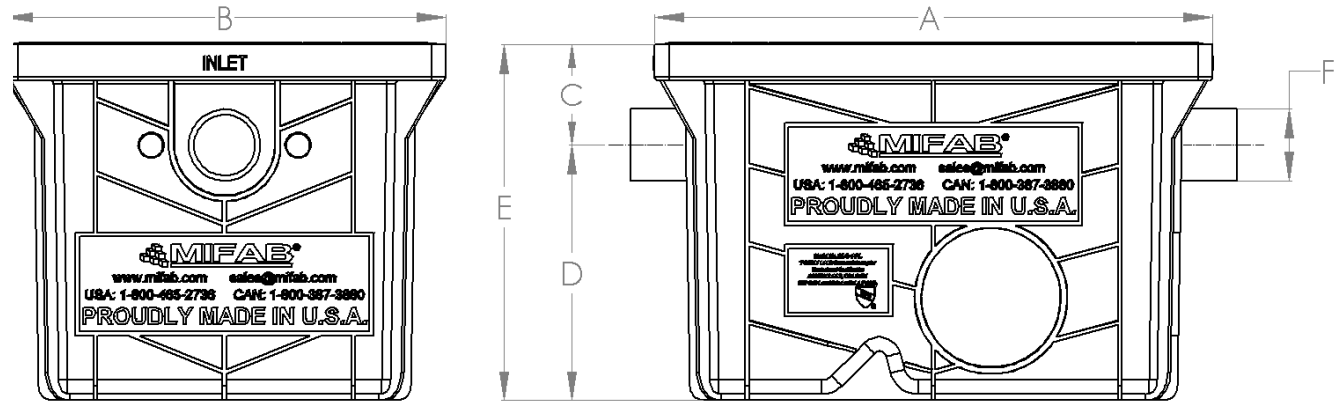
The Lil Max interceptors can easily be converted into oil interceptors with the oil draw off and vent connections for applications that require oil interceptors.

## 13. Complete Range of Sizes

The Lil Max grease interceptors are available in 7, 10, 15, 20, 25, 35 and 50 GPM sizes in addition to a 25 GPM low profile model. The 10 through 50 GPM models are also available as oil and solids interceptors.



## Dimensions



MODEL NO.	FLOW RATE (GPM)	GREASE CAP. (LBS.)	LIQUID CAP. (LBS.)	A (IN)	B (IN)	C (IN)	D (IN)	E (IN)	F (IN)
MI-G-1-PL	7	14	5.8	19.5	15.5	3.5	9	12.5	2
MI-G-2-PL	10	20	8.5	23	17.5	3.5	9.75	13.25	2
MI-G-3-PL	15	30	13	23	17.5	3.5	13.25	16.75	2
MI-G-4-PL	20	40	16	29.5	20.5	3.5	10.75	14.25	3
MI-G-5-PL	25	50	23	29.5	20.5	3.5	14.75	18.25	3
MI-G-6-PL	35	70	39	33	25.5	5.5	16.75	22.25	3
MI-G-7-PL	50	100	44	33	25.5	5.5	18.75	24.25	3
MI-G-L-25-PL	25	50	19	33	25.5	3.5	9	12.5	3