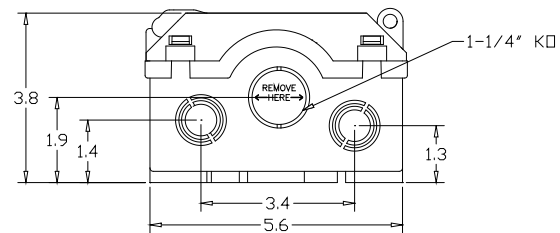
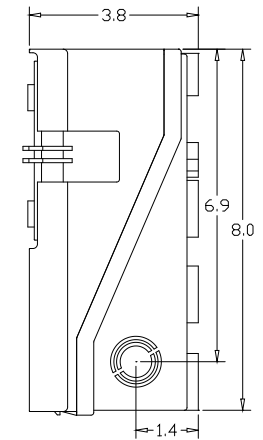
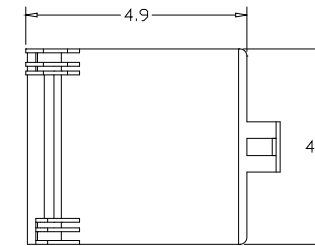
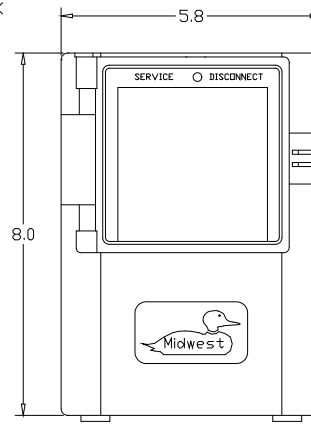
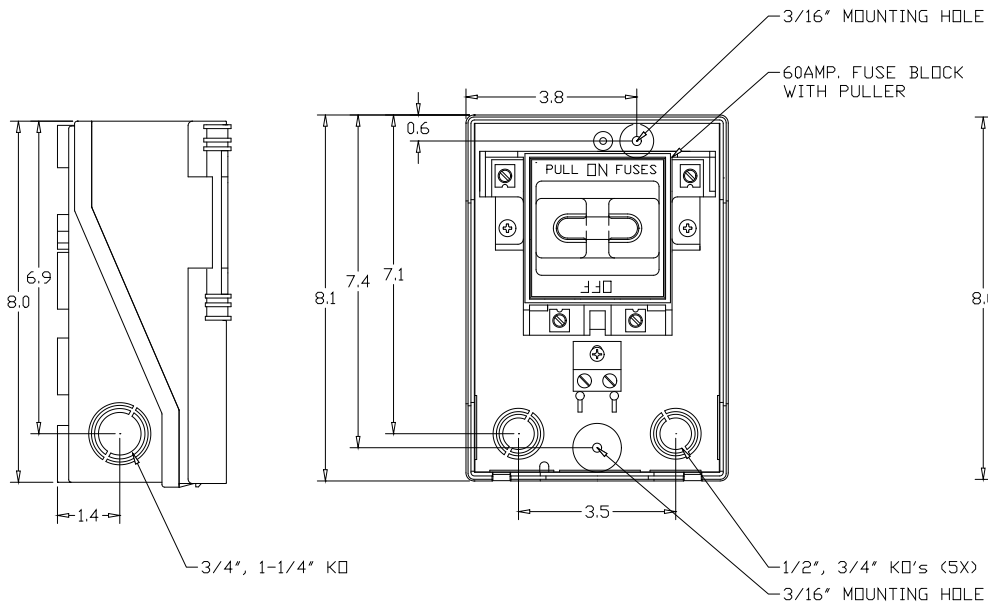



WIRE RANGE TABLE D:

CONNECTOR	COPPER		ALUMINUM	
	SOLID	STRAND	SOLID	STRAND
LINE	14-8	14-2	12-8	12-2
LOAD	14-8	14-2	12-8	12-2
NEUTRAL	-----	-----	-----	-----
EQUIP. GRND.	12-8	12-2	12-8	12-2



SH3

MIDWEST ELECTRIC PRODUCTS, INC.
 Mankato, MN 

Dr. By: JDE
 Ck. By:
 CR: R0746662

* = Critical To Quality
 Unless Otherwise Specified

Tolerances In:
 3 Pl. Decimals ± .010
 2 Pl. Decimals ± .030
 Fractions ± 1/32
 Angles ± 1/2°
 Holes ± .003
 Dimensions Are in Inches

AutoCad Generated

SCALE	SIZE
1 : 1	A

SHEET 1 OF 1

TITLE: P065F
 OUTLINE DRAWING

DWG NO: 265A6289

Rev.1 CR R0746662 JDE 1-10-08