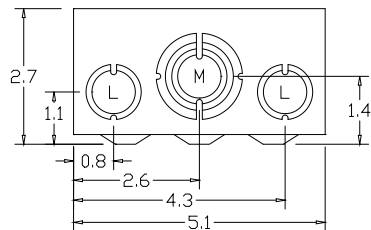
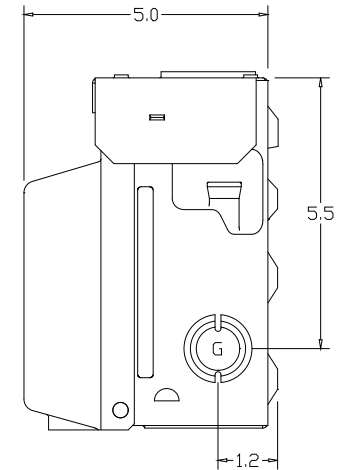
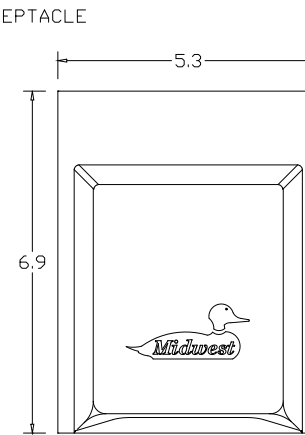
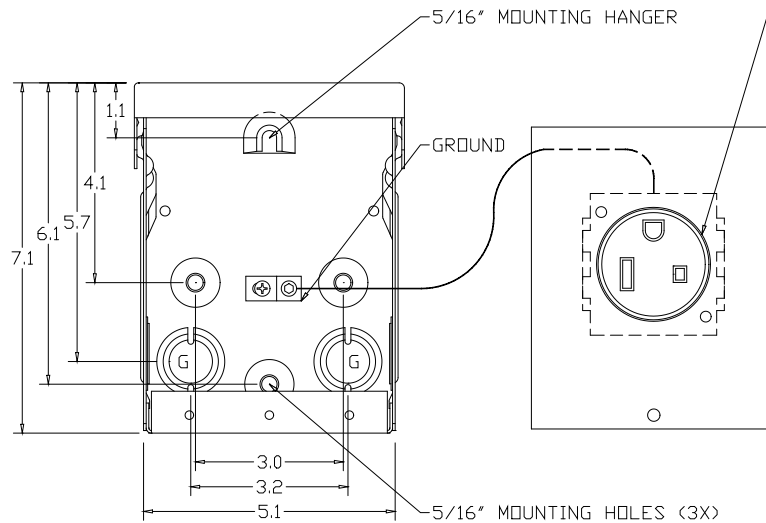
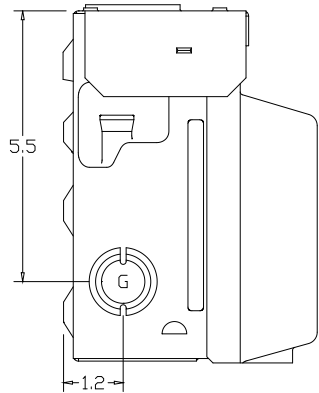


WIRE RANGE TABLE:

CONNECTOR	COPPER	
	SOLID	STRAND
LINE	12-8	12-4
LOAD	-----	-----
NEUTRAL	-----	-----
EQUIP. GRND.	12-8	12-2

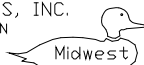


KNOCKOUT TABLE:

L= 1/2", 3/4" KD
M= 1/2", 3/4", 1", 1-1/4" KD
G= 1/2", 3/4", 1" KD

SH17

Rev.1 CR R0814112 JE 2-25-08

MIDWEST ELECTRIC PRODUCTS, INC. Mankato, MN 	* = Critical To Quality	
	Unless Otherwise Specified	
Dr. By: JDE Ck. By: CR: R0814112	Tolerances On: 3 Pl. Decimals ± .010 2 Pl. Decimals ± .030 Fractions ± 1/32 Angles ± 1/2° Holes ± .003 Dimensions Are In Inches	AutoCad Generated SCALE: 1:1 SIZE: A SHEET 1 OF 1

TITLE: U501 OUTLINE DRAWING
DWG NO: 265A6204