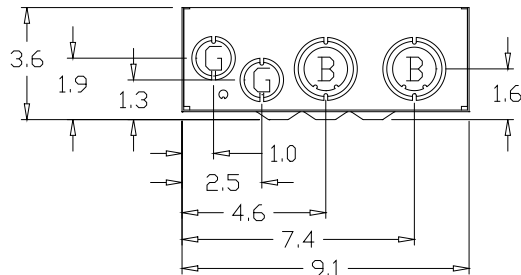
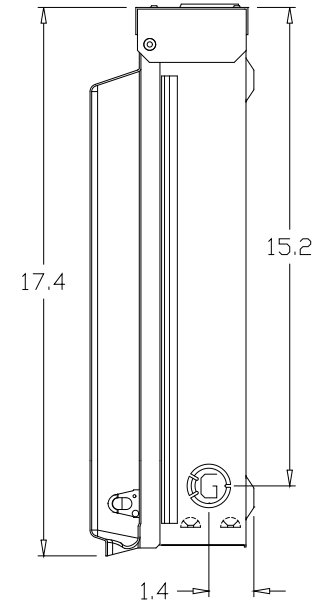
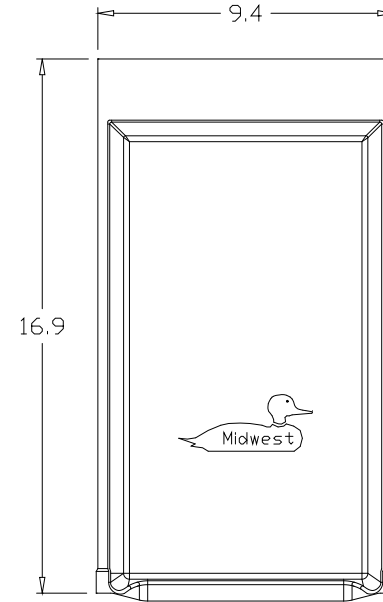
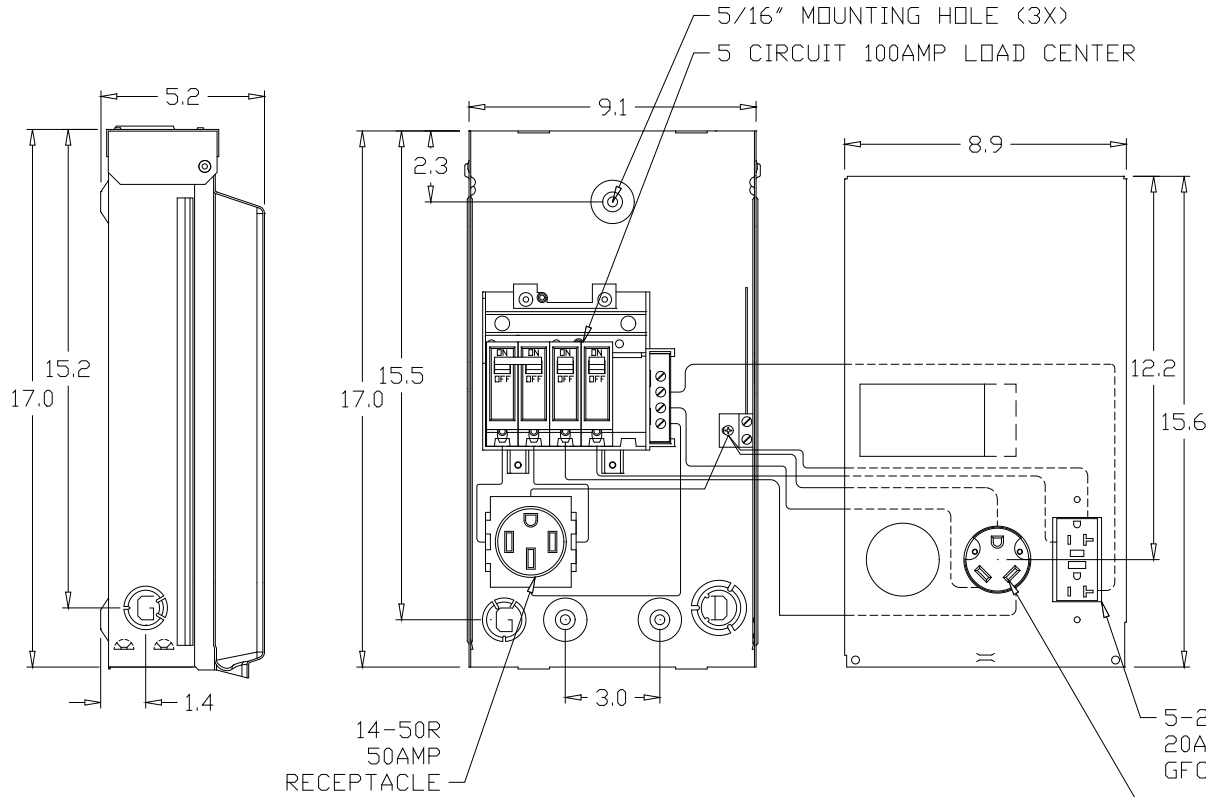


**KNOCKOUT TABLE:**

H= 9/32" KØ  
 G= 1/2", 3/4", 1" KØ  
 B= 1", 1-1/4", 1-1/2" KØ  
 D= 3/4", 1", 1-1/4" KØ



**NOTES:**  
 LUG TYPE IS LOOP FEED

**WIRE RANGE TABLE:**

CONNECTOR	COPPER		ALUMINUM	
	SOLID	STRAND	SOLID	STRAND
LINE	14-8	14-1/0	12-8	12-1/0
LOAD	14-10	14-10	---	---
NEUTRAL	LARGE HOLE 12-8	12-1/0	10-8	10-1/0
NEUTRAL	SMALL HOLE 14-8	14-4	12-8	12-4
EQUIP. GRND.	12-8	12-2	12-8	12-2

MIDWEST ELECTRIC PRODUCTS, INC.  
 Mankato, MN

Dr. By: JDE  
 Ck. By:  
 CR: R0746956

\* = Critical To Quality  
 Unless Otherwise Specified  
 Tolerances On:  
 3 Pl. Decimals ± .010  
 2 Pl. Decimals ± .030  
 Fractions ± 1/32  
 Angles ± 1/2°  
 Holes ± .003  
 Dimensions Are In Inches

AutoCad Generated

SCALE: 1 : 1  
 SIZE: A

SHEET 1 OF 1

TITLE: U075CTL010  
 OUTLINE DRAWING

DWG NO: 265A6223

SH4

Rev.1 CR: R0746956 JDE 1-11-08