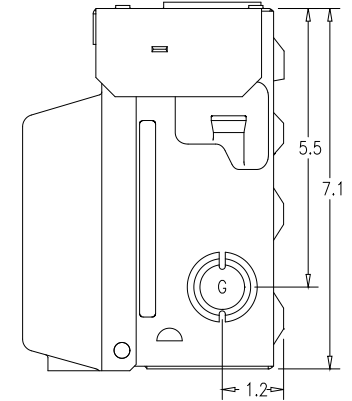
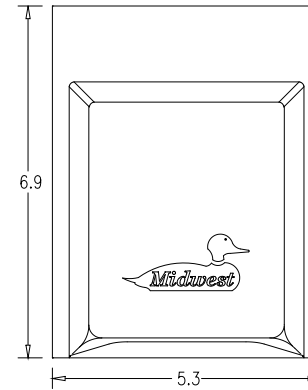
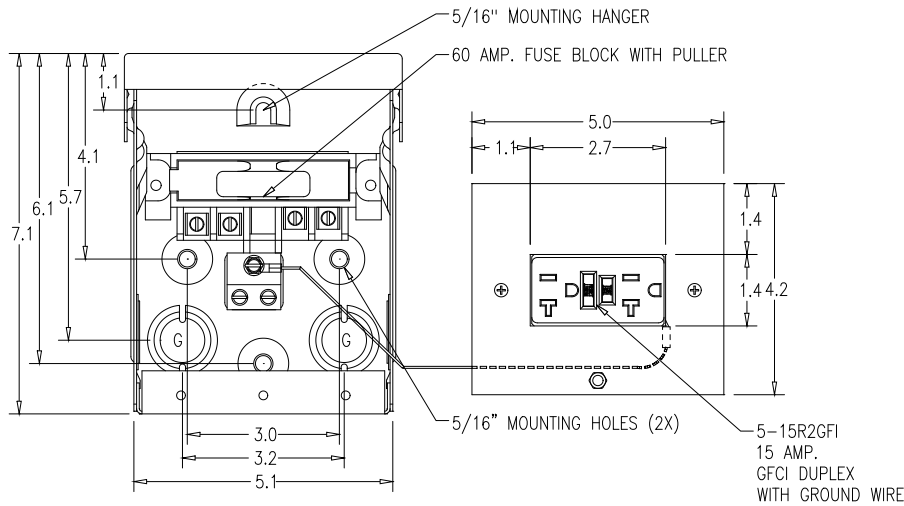
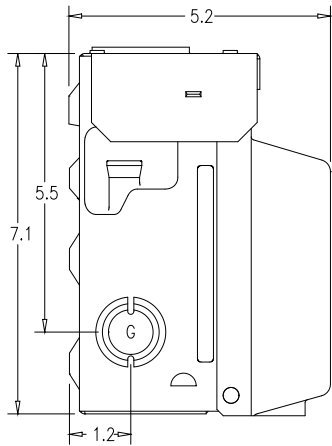


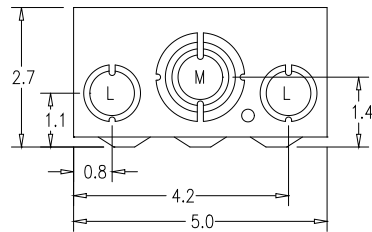
WIRE RANGE TABLE D:

CONNECTOR	COPPER		ALUMINUM	
	SOLID	STRAND	SOLID	STRAND
LINE	14-8	14-2	12-8	12-2
LOAD	14-8	14-2	12-8	12-2
NEUTRAL	-----	-----	-----	-----
EQUIP. GRND.	12-8	12-2	12-8	12-2



KNOCKOUT TABLE:

L= 1/2", 3/4" KO
G= 1/2", 3/4", 1" KO
M= 1/2", 3/4", 1", 1-1/4" KO



MIDWEST ELECTRIC  
PRODUCTS, INC.  
Mankato, MN

Dr. By: JDE  
Ck. By:  
CR: R0746662

\* = Critical To Quality

Unless Otherwise Specified

Tolerances On:  
3 Pl. Decimals ± .010  
2 Pl. Decimals ± .030  
Fractions ± 1/32  
Angles ± 1/2°  
Holes ± .003  
Dimensions Are In Inches

AutoCad  
Generated

SCALE 1 : 1	SIZE A
----------------	-----------

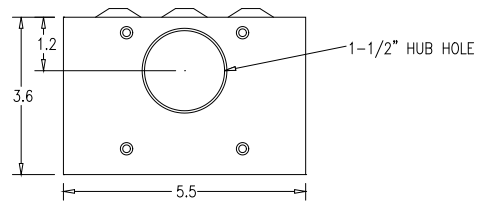
SHEET 1 OF 1

TITLE: U065P010  
OUTLINE DRAWING

DWG NO: 265A6204

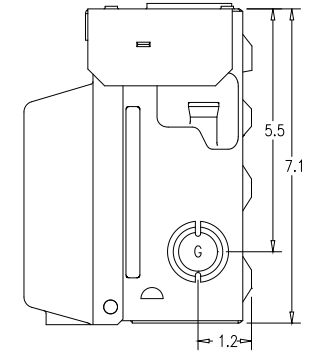
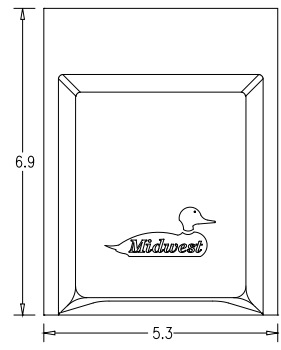
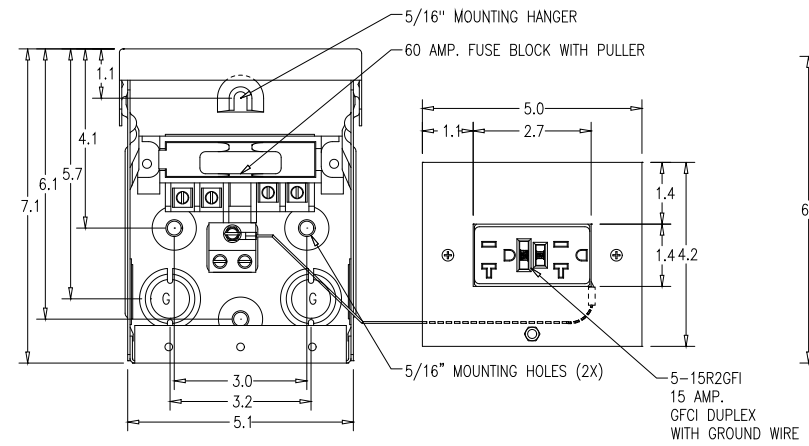
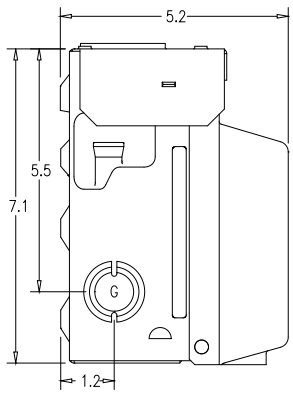
SH3

Rev.1 CR R0746662 JE 1-10-08



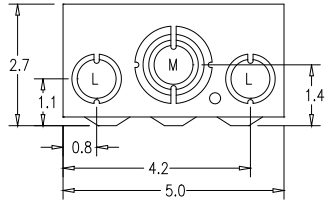
WIRE RANGE TABLE D:

CONNECTOR	COPPER		ALUMINUM	
	SOLID	STRAND	SOLID	STRAND
LINE	14-8	14-2	12-8	12-2
LOAD	14-8	14-2	12-8	12-2
NEUTRAL	-----	-----	-----	-----
EQUIP. GRND.	12-8	12-2	12-8	12-2



KNOCKOUT TABLE:

L= 1/2", 3/4" KO
G= 1/2", 3/4", 1" KO
M= 1/2", 3/4", 1", 1-1/4" KO



MIDWEST ELECTRIC PRODUCTS, INC.  
Mankato, MN

Dr. By: JDE  
Ck. By:  
CR: R0746662

\* = Critical To Quality

Unless Otherwise Specified

Tolerances On:  
3 Pl. Decimals ± .010  
2 Pl. Decimals ± .050  
Fractions ± 1/32  
Angles ± 1/2°  
Holes ± .003

Dimensions Are In Inches

AutoCad Generated

SCALE	SIZE
1 : 1	A

SHEET 1 OF 1

TITLE: U065P010  
OUTLINE DRAWING

DWG NO: 265A6204

SH3

Rev. 1, CP, R0746662, JE, 1-10-08