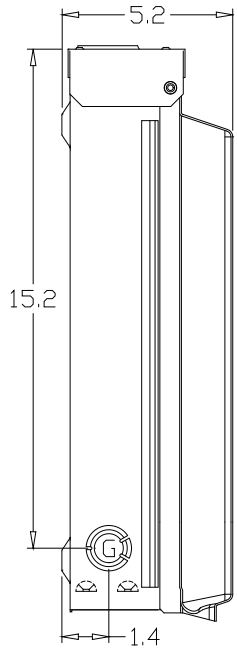
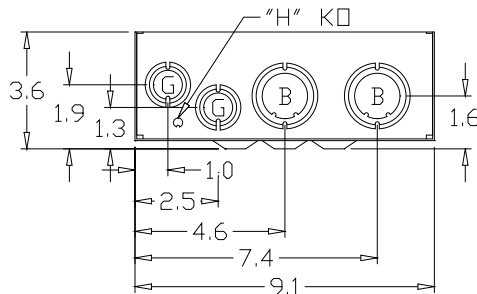
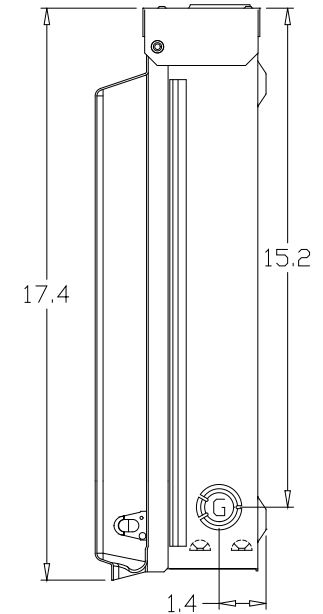
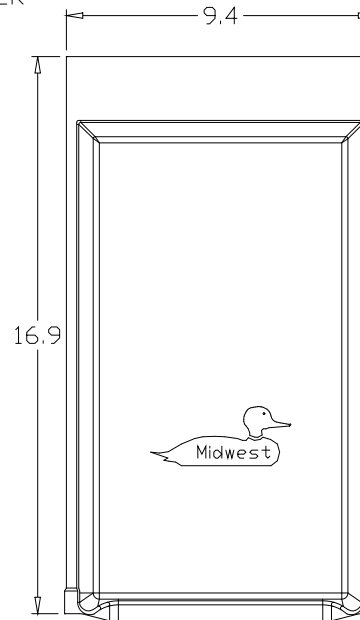
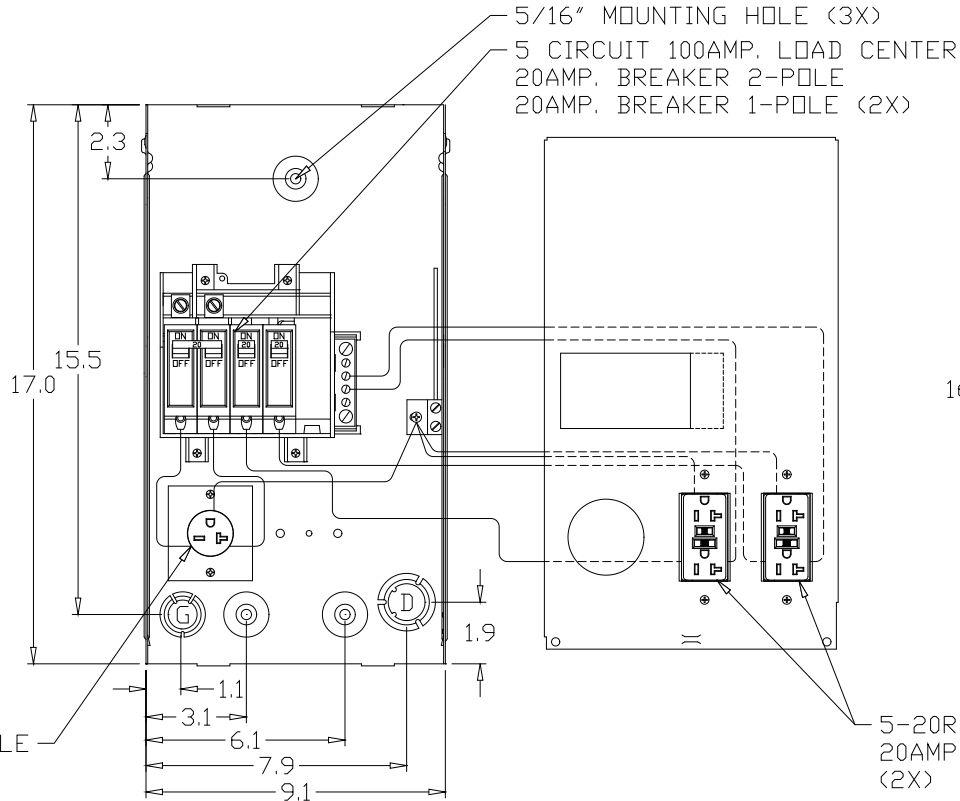


KNOCKOUT TABLE:

G= 1/2", 3/4", 1" KO
D= 3/4", 1", 1-1/4" KO
B= 1", 1-1/4", 1-1/2" KO
H= 9/32" KO



6-20R 20 AMP. RECEPTACLE



WIRE RANGE TABLE:

CONNECTOR	COPPER		ALUMINUM	
	SOLID	STRAND	SOLID	STRAND
LINE	-----	6-1/0	-----	6-1/0
LOAD	14-10	14-10	-----	-----
NEUTRAL	LARGE HOLE 12-8	12-1/0	10-8	10-1/0
NEUTRAL	SMALL HOLE 14-8	14-4	12-8	12-4
EQUIP. GRND.	12-8	12-2	12-8	12-2

SH26

MIDWEST ELECTRIC PRODUCTS, INC.
Mankato, MN

Dr. By: JDE
Ck. By:
CR: R0814112

* = Critical To Quality
Unless Otherwise Specified

AutoCad Generated

Tolerances On:
3 Pl. Decimals ± .010
2 Pl. Decimals ± .030
Fractions ± 1/32
Angles ± 1/2°
Holes ± .003
Dimensions Are In Inches

SCALE 1 : 1
SIZE A

SHEET 1 OF 1

TITLE: U038C010
OUTLINE DRAWING

DWG NO: 265A6223

Rev.1 CR R0814112 JE 2-18-08