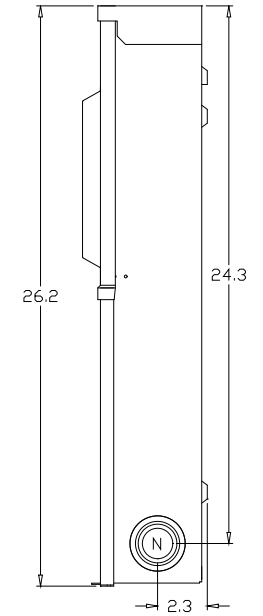
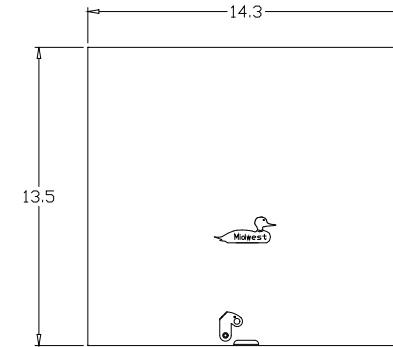
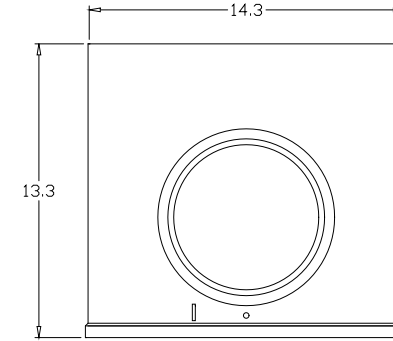
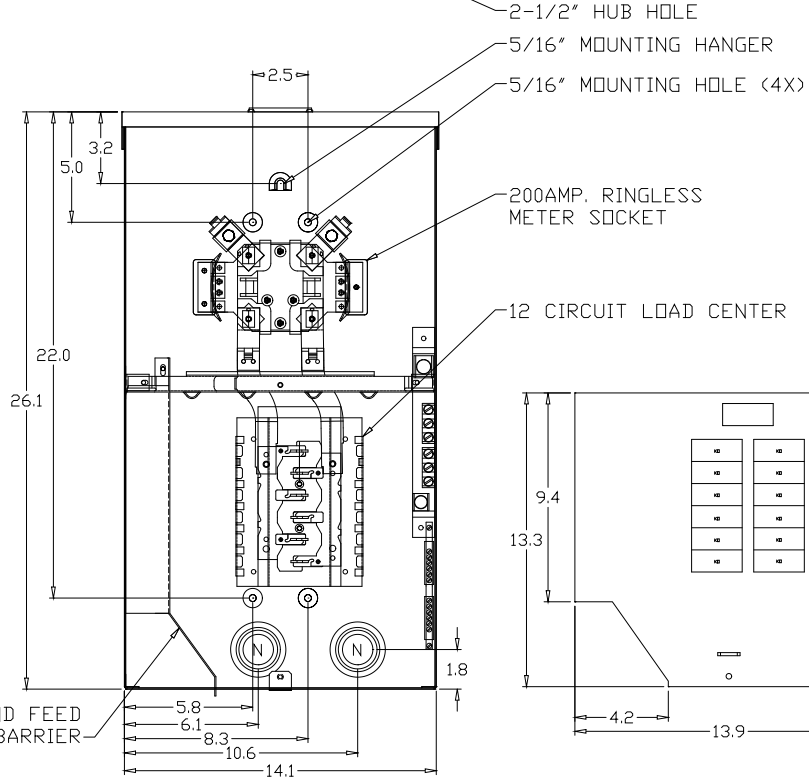
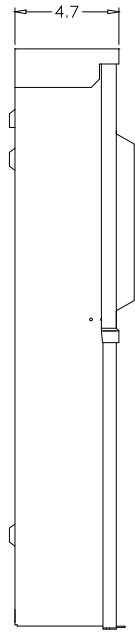


**KNOCKOUT TABLE:**

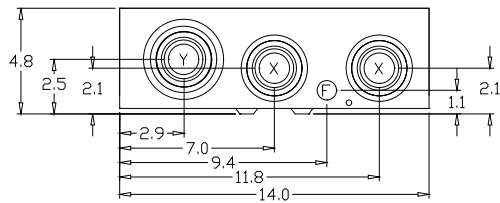
F = 1/2"
N = 1/2", 3/4", 1", 1-1/4", 1-1/2", 2"
X = 1/2", 3/4", 1", 1-1/4", 1-1/2", 2", 2-1/2"
Y = 1-1/4", 1-1/2", 2", 2-1/2", 3"

**WIRE RANGE TABLE:**

CONNECTOR	METER SOCKET	COPPER		ALUMINUM	
		SOLID	STRAND	SOLID	STRAND
LINE		-----	1/0-250	-----	1/0-250
LOAD-NONE		-----	-----	-----	-----
NEUTRAL A		-----	6-250	-----	6-250
NEUTRAL B		14-8	14-1/0	12-8	12-1/0
NEUTRAL C		-----	2-250	-----	2-250



UNDERGROUND FEED BARRIER



SH11

MIDWEST ELECTRIC PRODUCTS, INC.  
Mankato, MN

Dr. By: JE  
Chk. By:  
CR: R0811402

\* = Critical To Quality  
Unless Otherwise Specified  
Tolerances On:  
3 Pl. Decimals ± .010  
2 Pl. Decimals ± .030  
Fractions ± 1/32  
Angles ± 1/2°  
Holes ± .003  
Dimensions Are in Inches

AutoCad Generated  
SCALE 1 : 1  
SIZE A  
SHEET 1 OF 1

TITLE: R256E1A  
OUTLINE DRAWING  
DWG NO: 198B8636

Rev.1 CR R0811402 JE 1-23-08