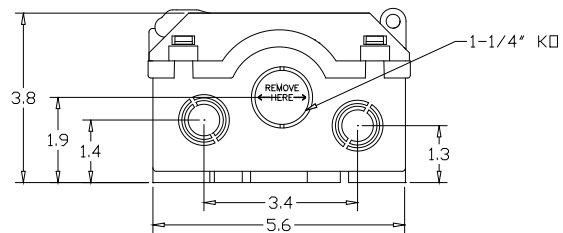
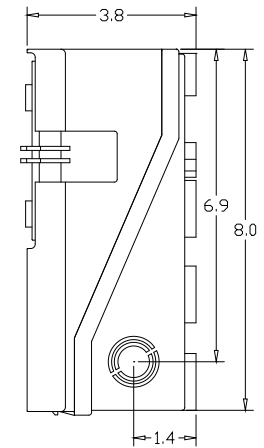
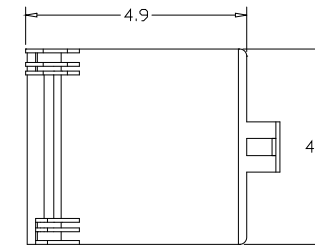
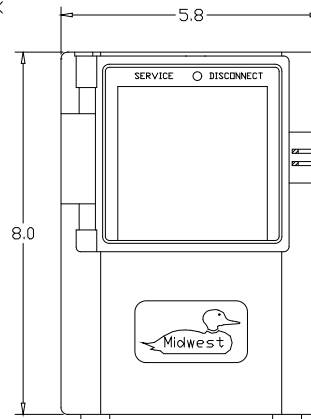
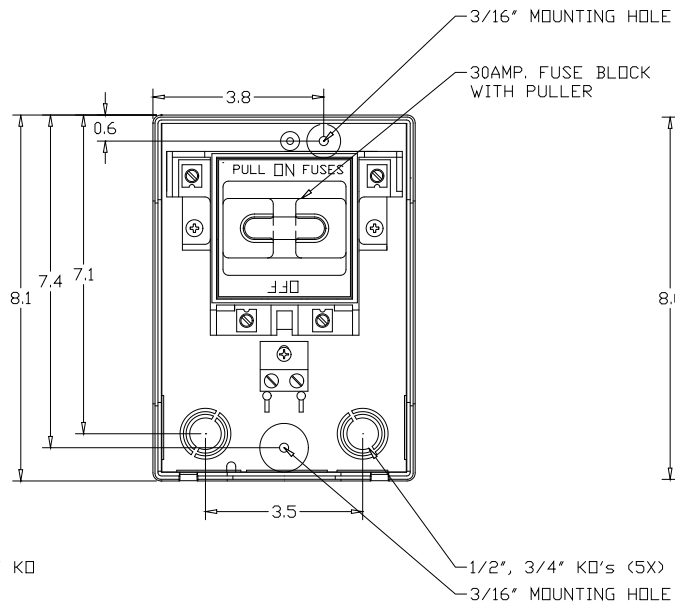
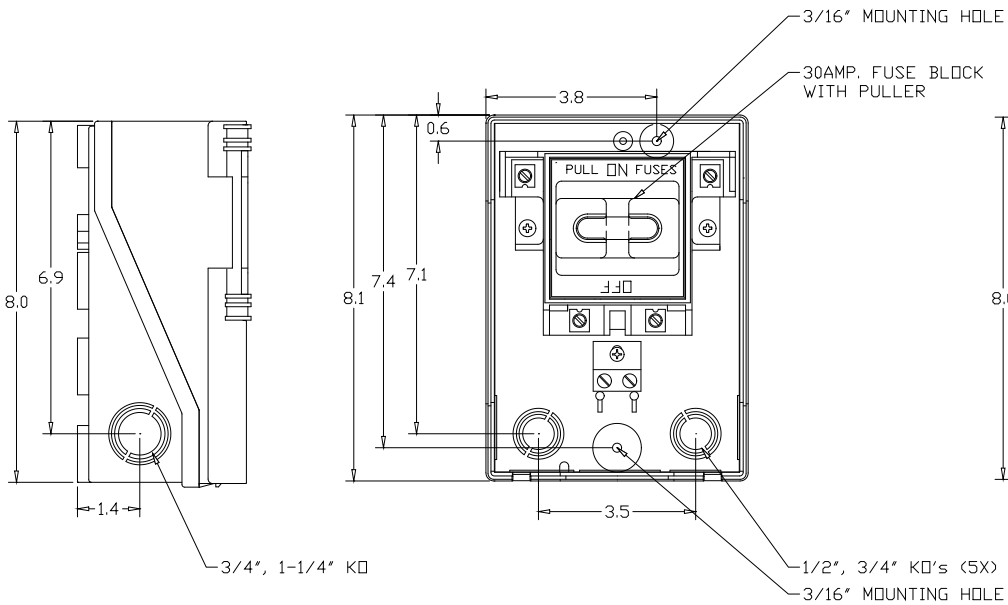


WIRE RANGE TABLE D:

| CONNECTOR | COPPER | | ALUMINUM | |
|--------------|--------|--------|----------|--------|
| | SOLID | STRAND | SOLID | STRAND |
| LINE | 14-8 | 14-2 | 12-8 | 12-2 |
| LOAD | 14-8 | 14-2 | 12-8 | 12-2 |
| NEUTRAL | ----- | ----- | ----- | ----- |
| EQUIP. GRND. | 12-8 | 12-2 | 12-8 | 12-2 |



SH2

MIDWEST ELECTRIC PRODUCTS, INC.
Mankato, MN
Dr. By: JDE
Ck. By:
CR: R0746662



* = Critical To Quality
Unless Otherwise Specified
Tolerances On:
3 Pl. Decimals ± .010
2 Pl. Decimals ± .030
Fractions ± 1/32
Angles ± 1/2°
Holes ± .003
Dimensions Are in Inches

AutoCad Generated
SCALE 1 : 1
SIZE A
SHEET 1 OF 1

TITLE: P035F
OUTLINE DRAWING
DWG NO: 265A6289

Rev.1 CR R0746662 JDE 1-10-08