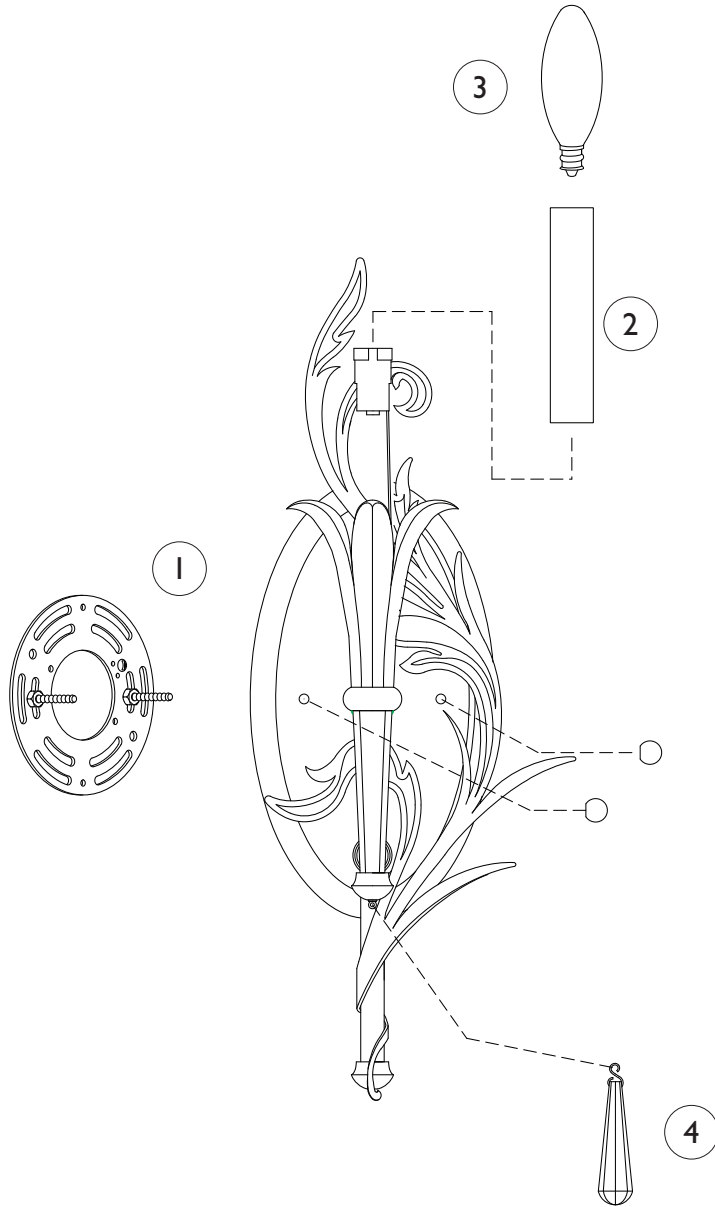


# Assembly Instructions For

# **WB1562** (E) 12/10

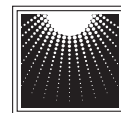


### **IMPORTANT**

### **TURN OFF THE POWER AT THE MAIN FUSE OR CIRCUIT BREAKER BOX BEFORE STARTING INSTALLATION**

Carefully unpack and identify all parts before assembly. Bulb not included.

1. Follow enclosed supplement installation instructions for electrical and fixture installation onto house outlet box. If you do not have an outlet box at desired location to attach the fixture then hire a qualified electrician to create one.
2. Install candle tube onto fitter.
3. Install light bulb (not included). See relamping label at socket area for type and maximum allowed wattage.
4. Hang all glass parts as shown on diagram.  
NOTE: To replace broken glass or pin, extras are included in hardware bag. Replace by gently bending open pin, remove broken glass or pin, hook new one, then close back pin. Avoid bending pin into sharp angle.



**MURRAY**  
**FEISS**

GENERATION  
BRANDS 