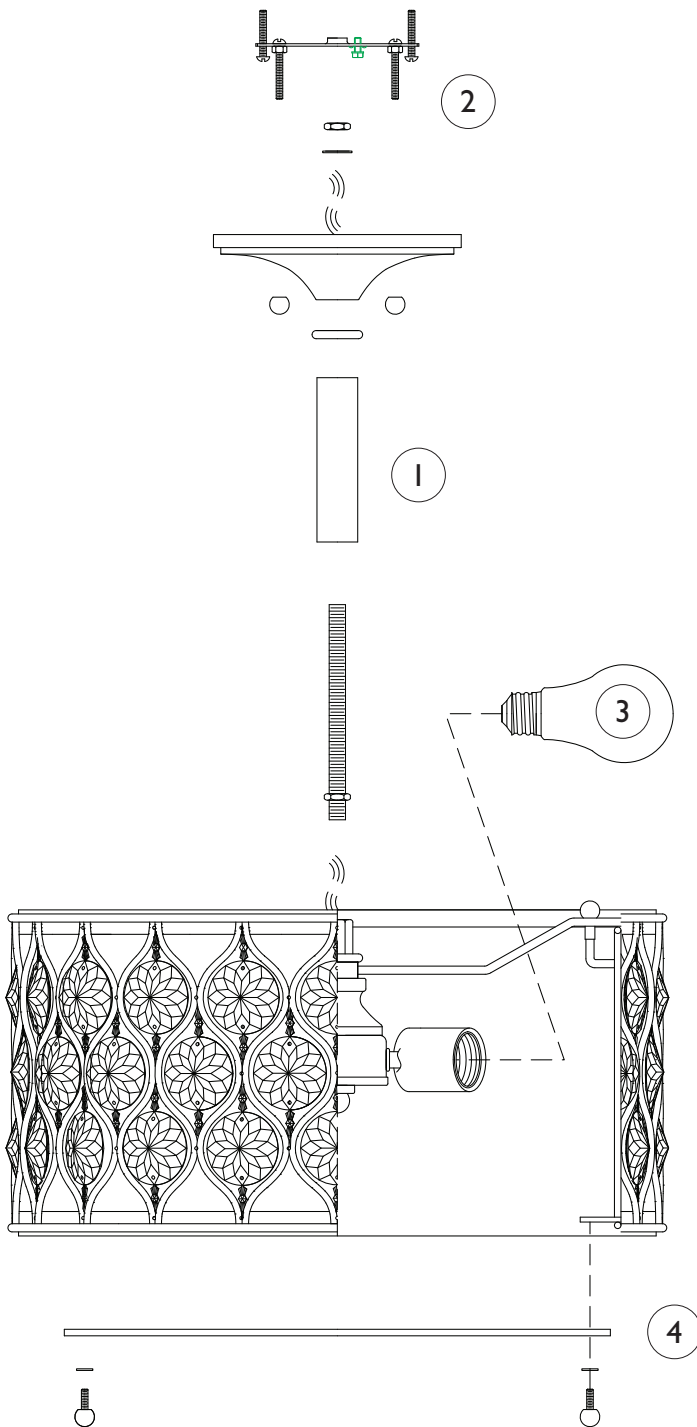


Assembly Instructions For

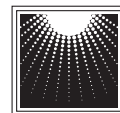
SF289 (E) 5/10



IMPORTANT TURN OFF THE POWER AT THE MAIN FUSE OR CIRCUIT BREAKER BOX BEFORE STARTING INSTALLATION

Carefully unpack and identify all parts before assembly.
Bulbs not included.

1. Install center pipe and tube by screwing into coupler located at top of socket assembly. Note correct position of center pipe at illustration.
2. Follow enclosed supplement installation instructions for electrical and fixture installation onto house outlet box. If you do not have an outlet box at desired location to attach the fixture then hire a qualified electrician to create one.
3. Install bulb (not included). See relamping label located at socket area for type and maximum allowed wattage.
4. Place glass plate onto frame and secure with washer and knob.



**MURRAY
FEISS**

GENERATION
BRANDS™