

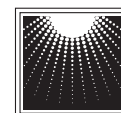
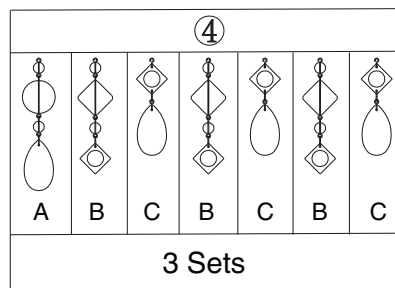
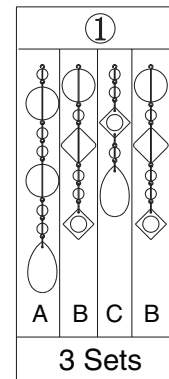
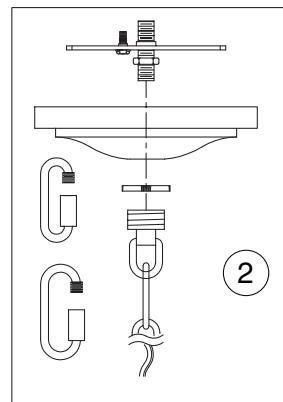
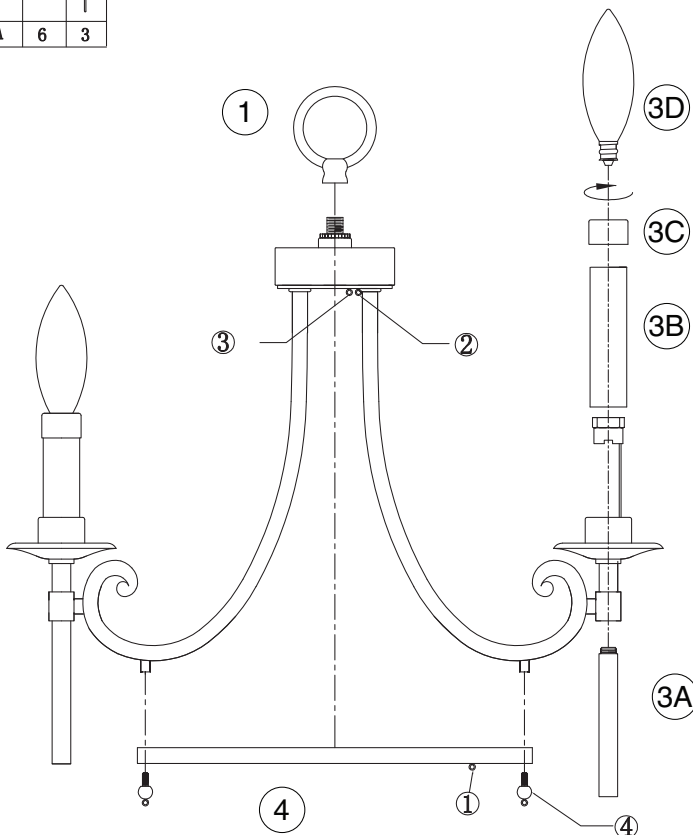
# Assembly Instructions For **F2662/3** (E) 12/10

	①			②			③		④	
REQUIRED	X3	X6	X3	X1	X1	X1	X1	X1	X3	X9
EXTRA		1					X1			X2
PIN	8									
EXTRA	6	3								

## IMPORTANT TURN OFF THE POWER AT THE MAIN FUSE OR CIRCUIT BREAKER BOX BEFORE STARTING INSTALLATION

Carefully unpack and identify all parts before assembly.  
Bulbs not included.

- Slip fixture loop down through the fixture wires, and then screw on top of fixture.
- Follow enclosed supplement installation instructions for electrical and fixture installation onto house outlet box. If you do not have an outlet box at desired location to attach the fixture then hire a qualified electrician to create one.
- A. Install stem onto bottom of fixture.  
B. Install candle tube by slipping through sockets.  
C. Install candle tube cap onto the top of the candle tube.  
D. Install type-B, candelabra base, of 60 Watt maximum bulbs (not included).
- Install ring onto bottom of fixture with ball cap screws.
- Hang all crystal glass parts as shown on drawing.  
NOTE: To replace broken crystal or pin, extras are included in hardware bag. Replace by gently bending open pin, remove broken crystal or pin, hook new one, then close back pin. Avoid bending pin into sharp angle.



**MURRAY  
FEISS**

GENERATION  
BRANDS™