

**MULTIPLE STANDARD INSTALLATION INSTRUCTIONS 2001, 2002, 2003, and 2004 (E) Pg. 1 of 2**

**CAUTION: DISCONNECT POWER DURING INSTALLATION**

1) If you are replacing an existing fixture, disconnect and remove the old fixture. Expose the supply wiring from the outlet box.

**2) A) # 2001 SINGLE CAP NUT INSTALLATION:**

Screw the threaded pipe 3 complete turns into the mounting strap and lock in place with hex nut.

**B) # 2002, 2003 & 2004 CAP NUT INSTALLATION:**

Thread the machine screws into the opposite side of the mounting plate from the green ground screw. Lock the machine screws into place with lock nuts.

3) Fasten the mounting strap to the outlet box using the two screws supplied with the outlet box.

4) Spread the electrical wires so that the black wires are on one side of the outlet box and the white wires are on the other side.

**5) GROUNDING INSTRUCTIONS:**

- A) On Fixtures where mounting strap or mounting plate is provided with a green *ground screw* and two raised dimples. Wrap ground wire from outlet box around green ground screw and tighten. (As shown above).
- B) On fixtures where mounting strap or mounting plate is provided with a green ground wire attached. (Not shown). Connect mounting strap or mounting plate ground wire to ground wire from outlet box with wire connector (not provided).
- C) If fixture is provided with ground wire attached. (Not shown). Connect fixture ground wire to ground wire from outlet box with wire connector (not provided). After following the above steps.

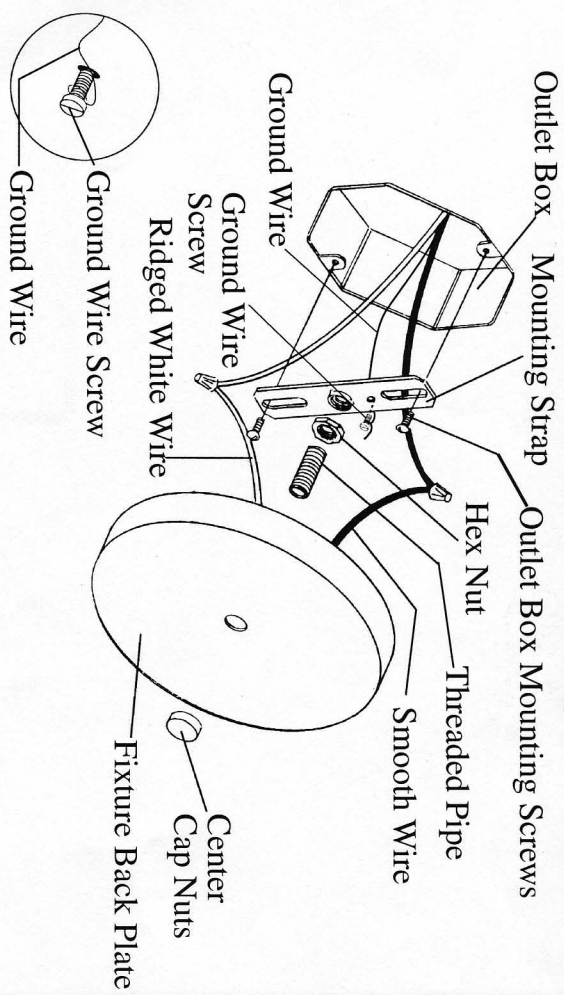
**NEVER CONNECT GROUND WIRE TO BLACK OR WHITE POWER SUPPLY WIRES.**

6) To make electrical connections: Connect the white wire(s) from the fixture to the white wire of the outlet box. Connect the black wire(s) from the fixture to the black wire of the outlet box. NOTE: Black outlet box wire may be red, round & smooth and / or have copper connector. White outlet box wire may be square & ridged and / or have a silver conductor.

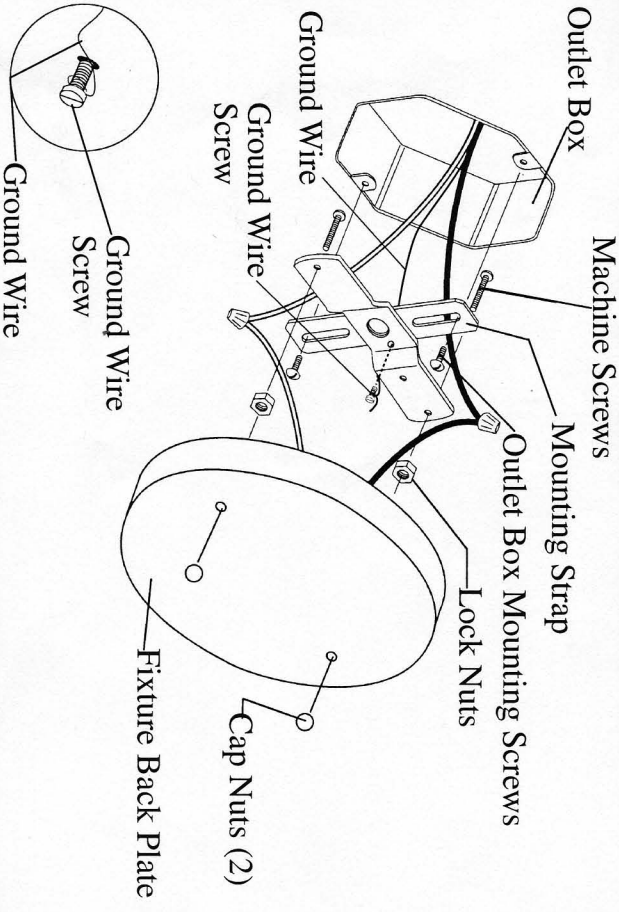
7) Place fixture against mounting surface allowing the machine screws to pass through the fixture cover plate. Secure with cap nuts.

©FEISS INDUSTRIES

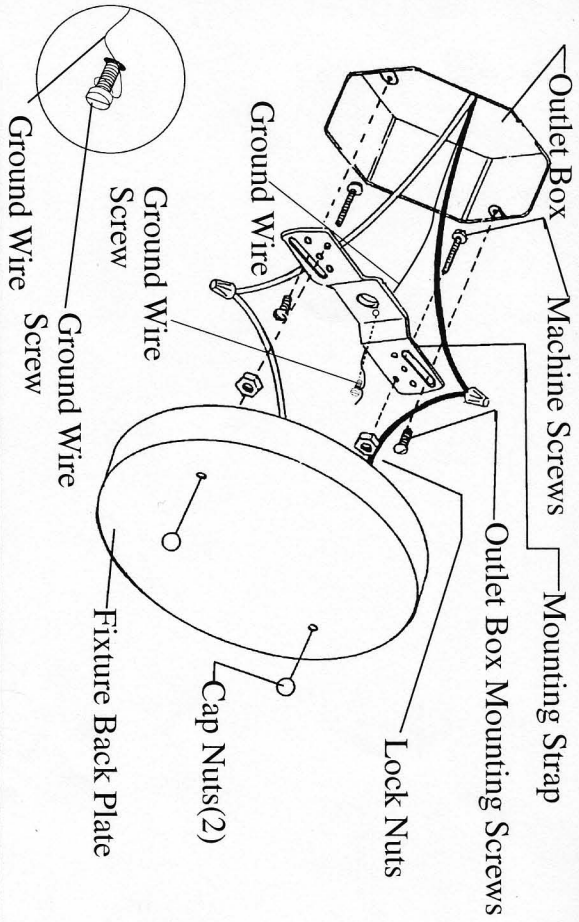
**MURRAY FEISS**



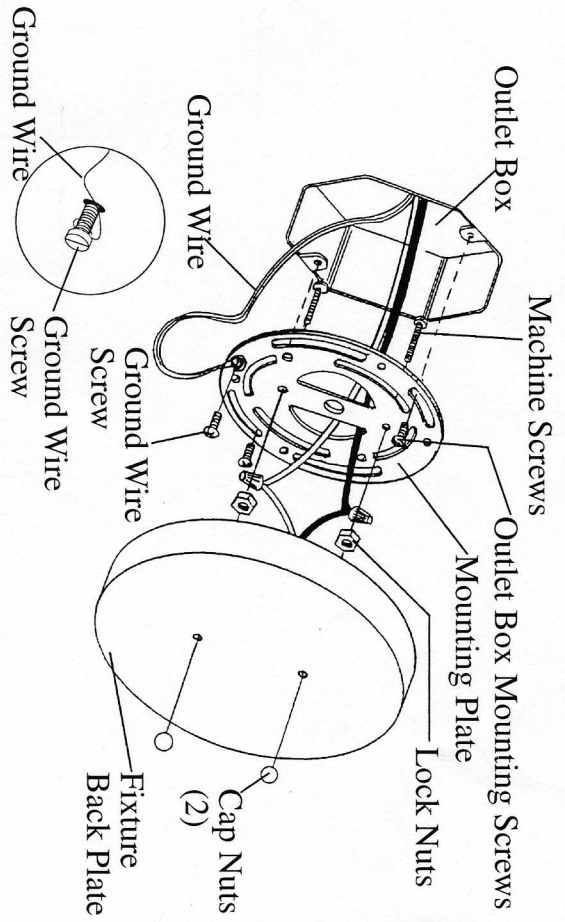
**# 2001 Threaded Pipe Installation**



**# 2003 Double Mounting Strap Installation**



**# 2002 Single Mounting Strap Installation**



**# 2004 Standard Mounting Plate Installation**

©FEISS INDUSTRIES

# MURRAY FEISS