

CL-380RB Laundry Tray Faucet • Spec Sheet

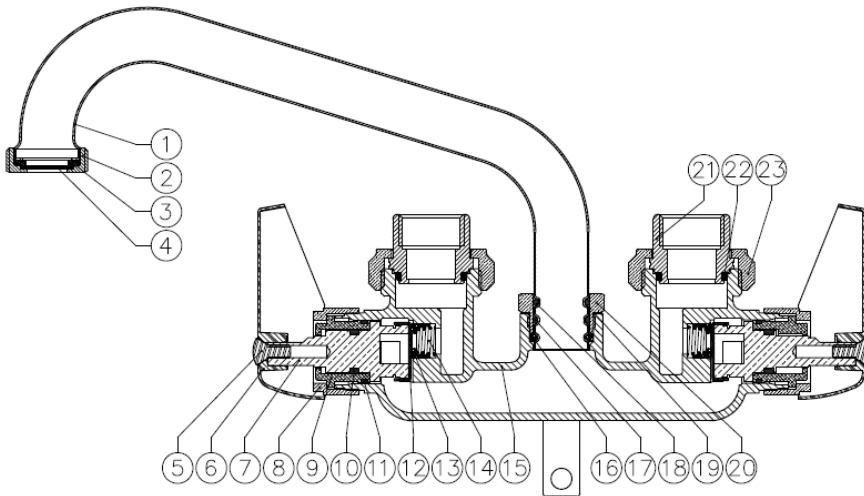


FEATURES & BENEFITS

- 4" Two Handle
- Metal Lever Handles
- 1/2" Female Thread Connections
- Rough Brass
- UPC & ADA Approved

MATERIAL SPECIFICATIONS

No.	Part	Material
1	Spout	Brass C37700
2	Bubble Shell	Brass C37700
3	Washer	EPDM SE-719F
4	Washer	Stainless Steel 304
5	Screw	Stainless Steel 304
6	Handle	Zinc
7	Stem	Brass C89550
8	Cap	Zinc
9	Shell	Brass C89550
10	O-Ring	BUNA SN-719F
11	O-Ring	BUNA SN-719F
12	Washer	Stainless Steel 304
13	Washer	EPDM SE-719F
14	Spring	Stainless Steel 304
15	Body	Brass C89550
16	C-Type Buckle	POM
17	O-Ring	BUNA SN-719F
18	O-Ring	BUNA SN-719F
19	O-Ring	BUNA SN-719F
20	Nut	Brass C37700
21	Connector	Brass C89550
22	O-Ring	BUNA SN-719F
23	Nut	Brass C37700



Global sourcing. National compliance. Local service.

CALIFORNIA 5593 Fresca Dr., La Palma CA 90623 • Toll Free: 866-532-8306 • Fax: 866-532-8307
TEXAS 1150 Silber Rd., Houston TX 77055 • Toll Free: 800-935-5456 • Fax: 713-680-2999
NEW YORK PO Box 27, Rt. 22, Brewster NY 10509 • Toll Free: 800-431-2082 • Fax: 845-278-9056
 WEB: www.matco-norca.com EMAIL: mail@matco-norca.com

* These product complies with 0.25% weighted average lead content on wetted surfaces in accordance with Safe Water Drinking Act (SDWA) / Federal Public Law No. 111-380.