

BL-150C **BL-150SS** **BL-150ORB**

Single Handle Pullout Kitchen Faucet

Product Spec Sheet



FEATURES & BENEFITS

- This Product Contains Less Than 0.25% Weighted Average Lead Content On Wetted Surfaces
- Metal Lever Handle
- 1 Or 3 Hole Installation
- Optional Deck Plate Included
- Max Flow Rate 1.5 GPM(5.7 LPM) at 60 PSI (ASME.A112.18.1)

BL-150C
Chrome Finish

BL-150SS
Stainless Steel Finish

BL-150ORB
Oil Rubbed Bronze Finish

APPROVALS:

Meets or Exceeds The Following:

- * ANSI/ASME A112.18.1
- * ANSI/NSF 61 – Sec. 9
- * IAPMO/UPC
- * CA AB1953



CALIFORNIA:
TEXAS:
NEW YORK:

TEL: 866-532-8306
TEL: 800-935-5456
TEL: 800-431-2082

FAX: 866-532-8307
FAX: 800-683-4247
FAX: 800-640-2252

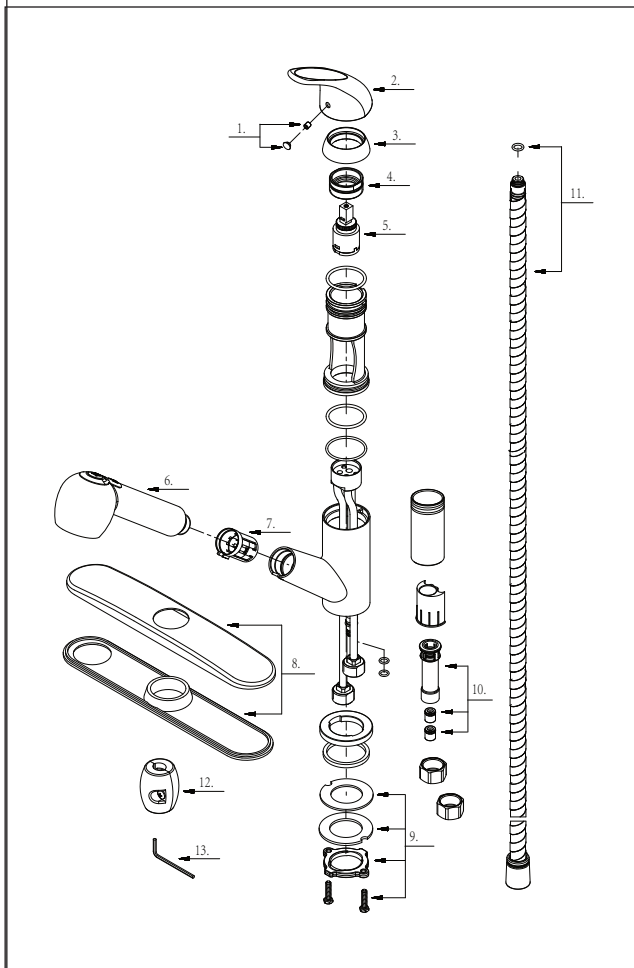
BL-150C **BL-150SS**

BL-150ORB

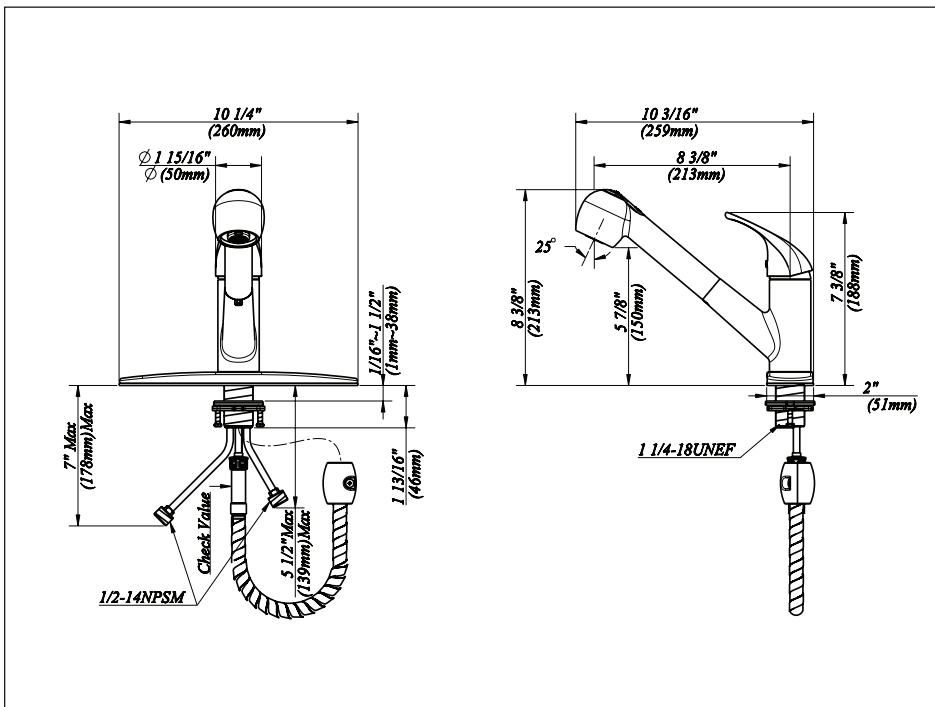
Single Handle Pullout Kitchen Faucet



No.	Name	Material
1	Index Button - Hot/Cold	Plastic
2	Metal Handle	Zinc Alloy
3	Trim Cap	Brass
4	Locking Nut	Brass
5	Ceramic Disc Cartridge	Ceramic & Plastic
6	Handle Spray w/Check Valve	Plastic
7	Hose Guide	Plastic
8	Cover Plate & Putty Plate	Zinc Alloy & Plastic
9	Mounting Hardware Assembly	Stainless Steel
10	Shank Adaptor Assembly	Plastic
11	Spray Hose	Stainless Steel
12	Weight	Iron
13	Hex Wrench (H2.5 * 19 mm L * 53 mm L)	Stainless Steel



Product Spec Sheet



APPROVALS:

Meets or Exceeds The Following:

- * ANSI/ASME A112.18.1
- * ANSI/NSF 61 – Sec. 9
- * IAPMO/UPC
- * CA AB1953

CALIFORNIA: TEL: 866-532-8306 FAX: 866-532-8307
TEXAS: TEL: 800-935-5456 FAX: 800-683-4247
NEW YORK: TEL: 800-431-2082 FAX: 800-640-2252

Visit Our Web Site : www.matco-norca.com