

PO-400C
 PO-400CL

PO-400BN



4" Two Handle Lavatory Faucet

Product Spec Sheet



FEATURES & BENEFITS

- This Product Contains Less Than 0.25% Weighted Average Lead Content On Wetted Surfaces
- Metal Lever Handles
- Ceramic Cartridges
- Brass Pop-up
- Max Flow Rate 1.5 GPM(5.7 LPM) at 60 PSI (ASME.A112.18.1)

PO-400C
Chrome Finish

PO-400BN
Brushed Nickel Finish

PO-400CL
Less Pop-up
Chrome Finish

APPROVALS:

Meets or Exceeds The Following:

- * ANSI/ASME A112.18.1
- * ANSI/NSF 61 – Sec. 9
- * IAPMO/UPC
- * CA AB1953



CALIFORNIA:
TEXAS:
NEW YORK:

TEL: 866-532-8306
TEL: 800-935-5456
TEL: 800-431-2082

FAX: 866-532-8307
FAX: 800-683-4247
FAX: 800-640-2252

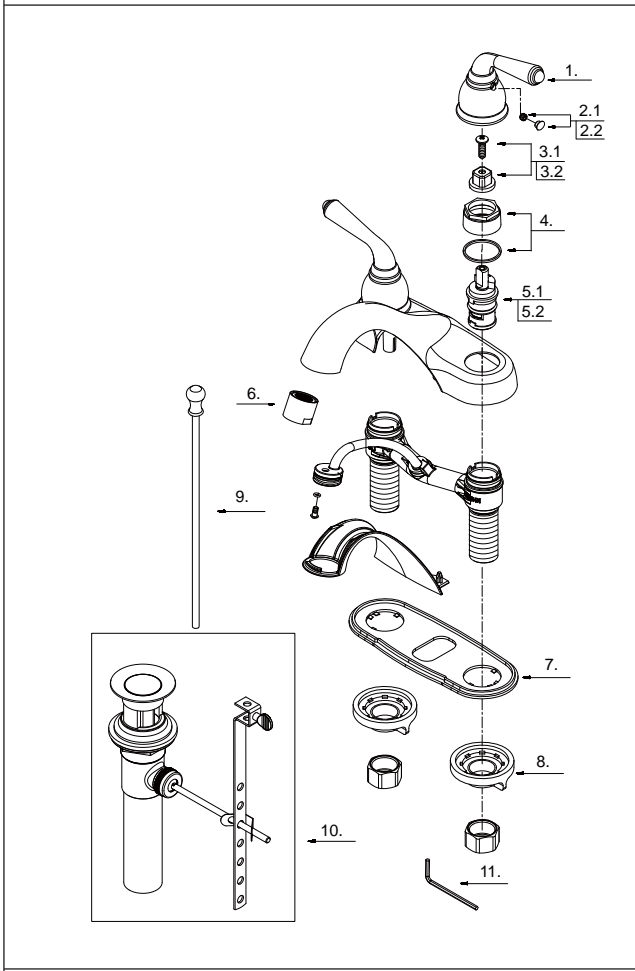
Visit Our Web Site : www.matco-norca.com

PO-400C **PO-400BN**
 PO-400CL

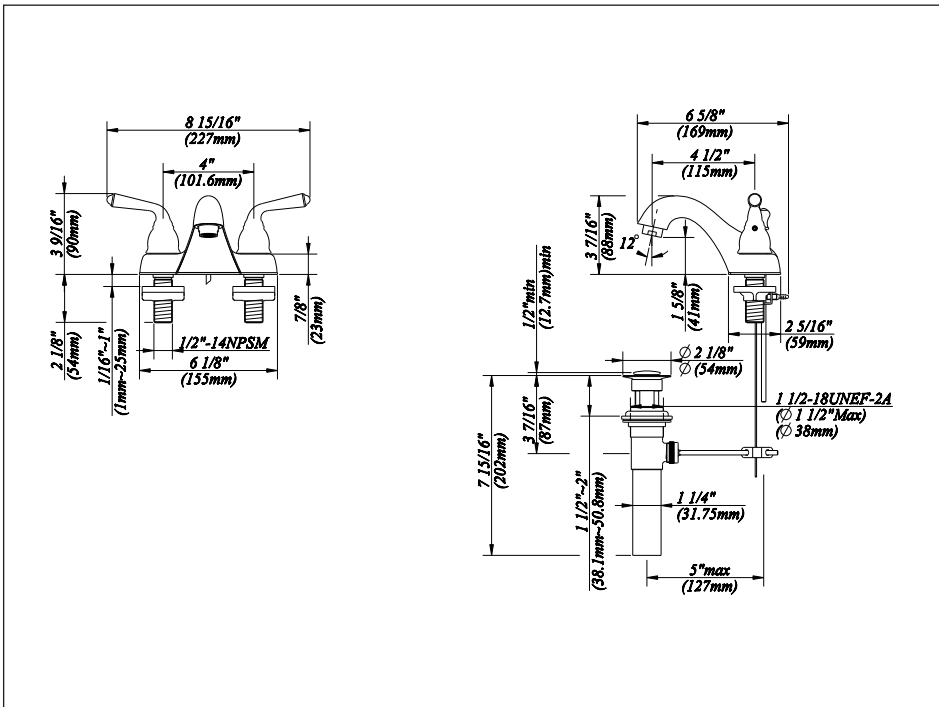


4" Two Handle Lavatory Faucet

No.	Name	Material
1	Metal Handle	Zinc Alloy
2.1	Index Button - Cold	Plastic
2.2	Index Button - Hot	Plastic
3.1	Handle Adaptor-Cold	Plastic
3.2	Handle Adaptor-Hot	Plastic
4	Retainer Nut & Washer	Plastic & Brass
5.1	Ceramic Disc Cartridge-Cold	Ceramic & Brass
5.2	Ceramic Disc cartridge-Hot	Ceramic & Brass
6	Aerator	Plastic & Brass
7	Putty Plate	Plastic
8	Lock Nut Set	Plastic
9	Lift Rod	Brass
10	Pop-up Assembly	Brass
11	Hex Wrench (H2.5 * 19 mm L * 53 mm L)	Stainless Steel



Product Spec Sheet



APPROVALS:
Meets or Exceeds The Following:

- * ANSI/ASME A112.18.1
- * ANSI/NSF 61 – Sec. 9
- * IAPMO/UPC
- * CA AB1953

CALIFORNIA: TEL: 866-532-8306 FAX: 866-532-8307
TEXAS: TEL: 800-935-5456 FAX: 800-683-4247
NEW YORK: TEL: 800-431-2082 FAX: 800-640-2252

Visit Our Web Site : www.matco-norca.com