

PD-500C

PD-500BN



Single Handle Lavatory Faucet

Product Spec Sheet



FEATURES & BENEFITS

- This Product Contains Less Than 0.25% Weighted Average Lead Content On Wetted Surfaces
- Metal Lever Handle
- Ceramic Cartridge
- Brass Pop-up
- Max Flow Rate 1.5 GPM(5.7 LPM) at 60 PSI (ASME.A112.18.1)

PD-500C
Chrome Finish

PD-500BN
Brushed Nickel Finish

APPROVALS:

Meets or Exceeds The Following:

- * ANSI/ASME A112.18.1
- * ANSI/NSF 61 – Sec. 9
- * IAPMO/UPC
- * CA AB1953



CALIFORNIA:
TEXAS:
NEW YORK:

TEL: 866-532-8306
TEL: 800-935-5456
TEL: 800-431-2082

FAX: 866-532-8307
FAX: 800-683-4247
FAX: 800-640-2252

Visit Our Web Site : www.matco-norca.com

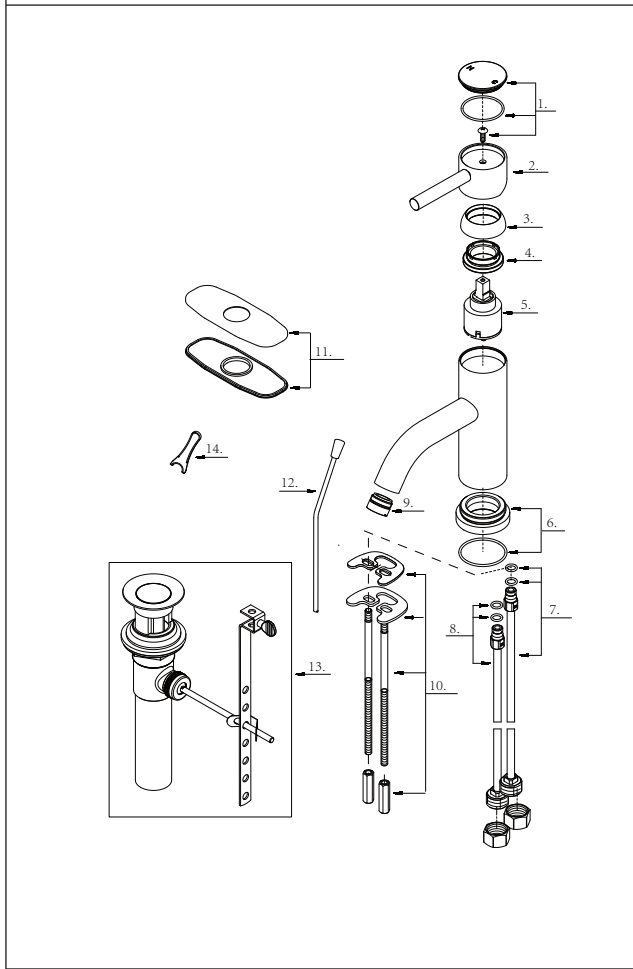
□ **PD-500C**

□ **PD-500BN**

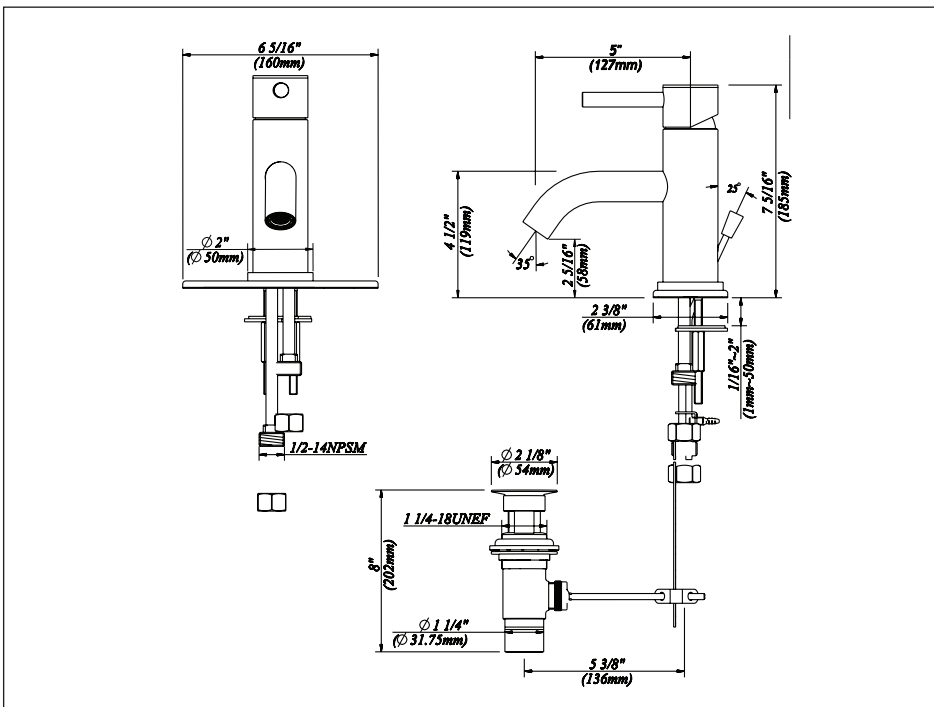


Single Handle Lavatory Faucet

No.	Name	Material
1	Index Button-Hot/Cold	Brass
2	Metal Handle Assembly	Brass
3	Trim Cap	Plastic
4	Locking Nut	Brass
5	Ceramic Disc Cartridge	Ceramic & Brass
6	Spout Trim Ring	Brass
7	Supply Pipe-Hot	Brass
8	Supply Pipe-Cold	Brass
9	Aerator	Brass & Plastic
10	Mounting Hardware Assembly	Stainless Steel
11	Cover Plate & Putty Plate	Stainless Steel & Plastic
12	Lift Rod	Brass
13	Pop-up Assembly	Brass
14	Wrench	Stainless Steel



Product Spec Sheet



APPROVALS:

Meets or Exceeds The Following:

- * ANSI/ASME A112.18.1
- * ANSI/NSF 61 – Sec. 9
- * IAPMO/UPC
- * CA AB1953

CALIFORNIA: TEL: 866-532-8306 FAX: 866-532-8307
TEXAS: TEL: 800-935-5456 FAX: 800-683-4247
NEW YORK: TEL: 800-431-2082 FAX: 800-640-2252

Visit Our Web Site : www.matco-norca.com