

CR-240C **CR-240SS**
 CR-240ORB



8" Two Handle Kitchen Faucet

Product Spec Sheet



FEATURES & BENEFITS

- This Product Contains Less Than 0.25% Weighted Average Lead Content On Wetted Surfaces
- Metal Lever Handles
- Ceramic Cartridges
- With Side Spray
- Max Flow Rate 2.2 GPM(8.5 LPM) at 60 PSI (ASME.A112.18.1)

CR-240C
Chrome Finish

CR-240SS
Stainless Steel Finish

CR-240ORB
Oil Rubbed Bronze Finish

APPROVALS:

Meets or Exceeds The Following:

- * ANSI/ASME A112.18.1
- * ANSI/NSF 61 – Sec. 9
- * IAPMO/UPC
- * CA AB1953



CALIFORNIA:
TEXAS:
NEW YORK:

TEL: 866-532-8306
TEL: 800-935-5456
TEL: 800-431-2082

FAX: 866-532-8307
FAX: 800-683-4247
FAX: 800-640-2252

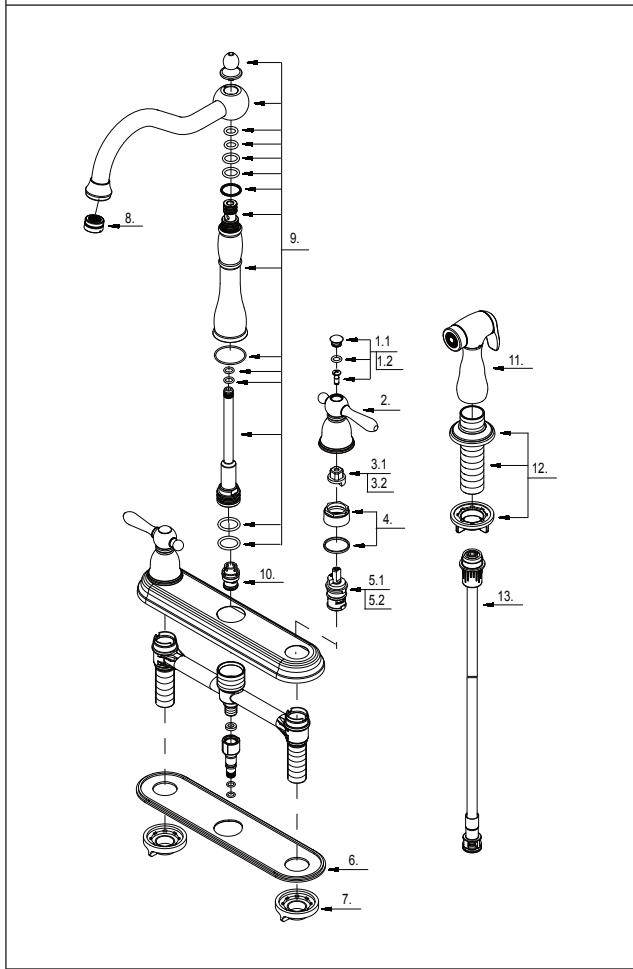
Visit Our Web Site : www.matco-norca.com

CR-240C **CR-240SS**
 CR-240ORB

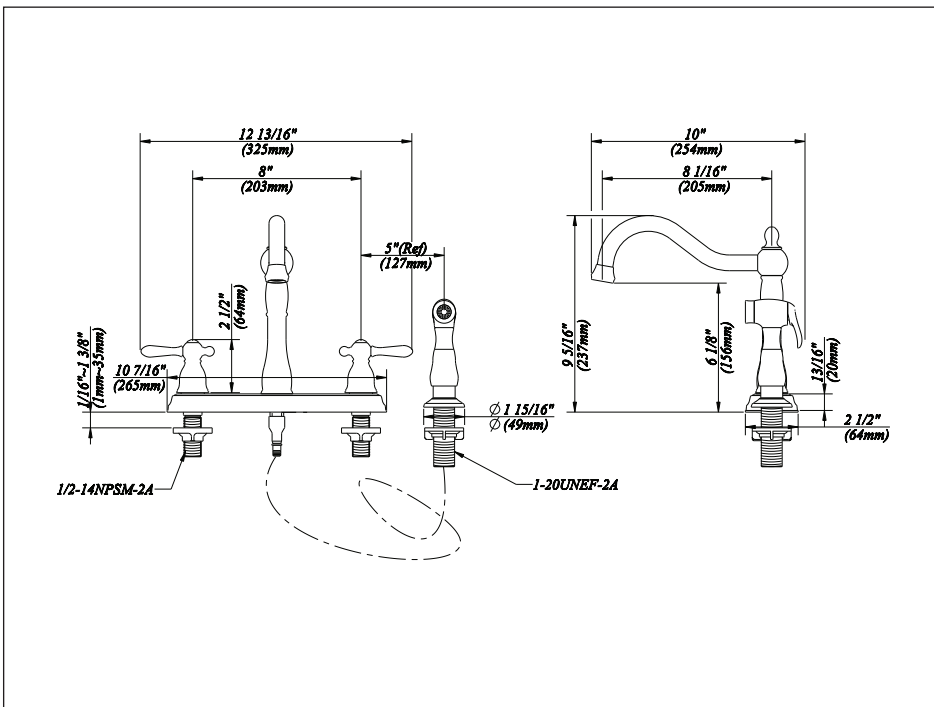


8" Two Handle Kitchen Faucet

No.	Name	Material
1.1	Index button-Cold	Brass
1.2	Index button-Hot	Brass
2	Metal Handle Assembly	Zinc Alloy
3.1	Handle Adaptor-Cold	Plastic
3.2	Handle Adaptor-Hot	Plastic
4	Retainer Nut & Washer	Zinc Alloy & Brass
5.1	Ceramic Disc Cartridge-Cold	Ceramic & Brass
5.2	Ceramic Disc Cartridge-Hot	Ceramic & Brass
6	Putty Plate	Plastic
7	Lock Nut Set	Plastic
8	Aerator	Plastic & Brass
9	Spout Assembly	Brass
10	Spray Diverter w/Vacuum Breaker	Plastic
11	Side Spray	Plastic
12	Spray Holder Assembly	Plastic
13	Spray Hose	Plastic



Product Spec Sheet



APPROVALS:

Meets or Exceeds The Following:

- * ANSI/ASME A112.18.1
- * ANSI/NSF 61 – Sec. 9
- * IAPMO/UPC
- * CA AB1953

CALIFORNIA: TEL: 866-532-8306 FAX: 866-532-8307
TEXAS: TEL: 800-935-5456 FAX: 800-683-4247
NEW YORK: TEL: 800-431-2082 FAX: 800-640-2252

Visit Our Web Site : www.matco-norca.com