

# Accessories









## Removable hub kits

		Conduit Size (inches)	Catalog number
 <p>Removable hub</p> <p>Cover plate</p>	<b>RX type hubs small</b>		
	1	H38596-2	
	1-1/4	H38597-2	
	1-1/2	H38598-2	
	2	H38599-2	
	2-1/2	H38600-2	
	Cover plate - steel	H38595-1	
	Cover plate - aluminum	H38595-2	
	<b>HD Type Hubs Large</b>		
	3	H56856-2	
3-1/2	H56857-2		
4	H56858-2		
Cover plate - steel	H56933		
Cover plate - aluminum	H56933-1		




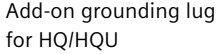
## Sealing rings

	Description	Catalog number
	Stainless Steel Snap Type	54602
	Stainless Steel Screw Type	9738-8002

## Accessories

	Description	Catalog number
	Insulated 5th terminal kit - Type AS, AT only	H659-0120
	Grounded 5th terminal kit - Type AS, AT only	H659-0121
	HQ 5th terminal kit - 6:00	H35815-3
	HQ 5th terminal kit - 9:00	H35815-2
	Large to small adaptor - steel HD to RX	H9747-1113
	Large to small adaptor - aluminum HD to RX	H9747-1112
	Black plastic meter opening cover	H39968
	Clear plastic meter opening cover (with plug-in feet)	H659-0162

## Accessories

	Description	Catalog number
	HQ isolated neutral kit *Includes neutral and isolation block	H64685-1*
	Neutral isolation kit for HQ *Isolates existing neutral	H64690-1*
	Insulated Jumper	H36479
	Add-on grounding lug for HQ/HQU	H55303