

Liberty Pumps®

NEW!

ProVore®

PRG-Series



Residential Grinder Pump

**1 hp
2" Discharge**

*Designed for residential
sewage applications*

*Higher flow rates allow use
with 2" discharge lines*

*Operates on standard 115
or 230 volt 20 amp circuits*

Features:

- Heavy cast iron construction
- 115V or 230V single phase
- Patented V-Slice® cutter technology
- Shreds difficult solids such as feminine products, rags, towels and wipes that can jam a solids-handling style pump
- Hardened stainless steel cutter and plate
 - Oil-filled, thermally protected motor
- PRG-Series residential grinders can be used as a replacement pump in 2" discharge systems using LE40 and LE50-series solids-handling pumps.*

*PRG-Series flow rates do not exactly match LE-series flow rates. Consult factory with actual application and head specification prior to replacing LE40 and LE50-series pumps.

Models:

- PRG101M 115V, 12a, Manual
- PRG101A 115V, 12a, Automatic
- PRG102M 230V, 6a, Manual
- PRG102A 230V, 6a, Automatic

innovate. evolve.

PRG-Series

1 hp Residential Grinder Pump

Impeller
Cast Iron, Class 25

Paint
Powder Coat

Max Liquid Temp.
60°C / 140° F

Motor
CSCR style, Class B windings.
Oil-filled, thermally protected

Power Cord Type
SJTW, quick disconnect design 10'
standard length. (25' Optional)

Motor Housing
Cast Iron, Class 30

Volute
Cast Iron, Class 30

Shaft
303 Series Stainless Steel

Hardware
Stainless Steel

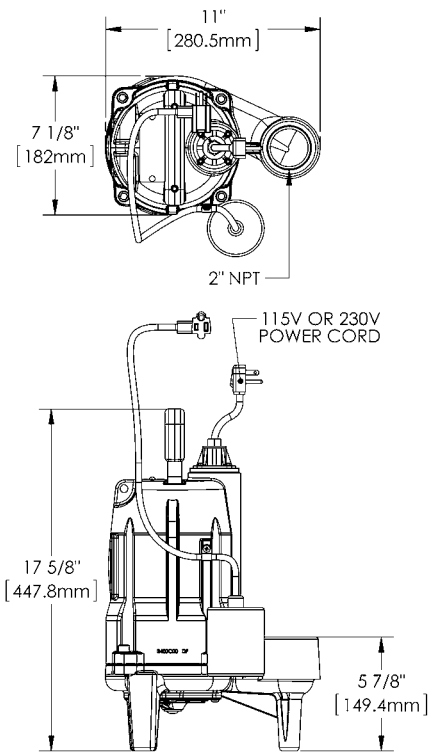
Mechanical Shaft Seal
Unitized Silicon Carbide

Bearings
Upper and lower, ball bearings

Cutter and Cutter Plate
V-Slice® design. 440 Stainless
Steel hardened to Rockwell 57c

Switch (automatic models)
Mechanical wide angle float
with series (piggyback) plug

DIMENSIONAL DATA



MODELS	HP	VOLTS	PHASE	Hz.	AMPS	CORD LENGTH	DISCHARGE	AUTOMATIC	WEIGHT LBS.
PRG101A	1	115	1	60	12	10'	2"	Yes	58
PRG101M	1	115	1	60	12	10'	2"	No	57
PRG102A	1	230	1	60	6	10'	2"	Yes	58
PRG102M	1	230	1	60	6	10'	2"	No	57

For optional 25' power cords, add a "-2" suffix to model number.
Example: PRG101A-2

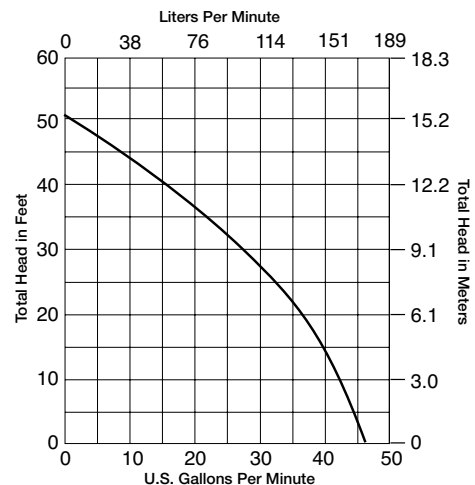
Maximum Fluid Temperature: 140° F (60° C)



V-Slice® Cutter Technology

Shreds difficult solids—such as feminine products, wipes, rags and other debris.
Patent #7,159,806

PERFORMANCE CURVE 60 Hz., 3400 RPM



Specifications subject to change without notice.