

Residential Grade

AC Quiet Toggle Switches

Tried-and-true toggle designs, Leviton Residential Grade AC Quiet Switches cover all the bases; they install easily and are available in standard and illuminated versions. Their toggles and frames are constructed of impact-resistant thermoplastic, and they feature large head, hardened triple-drive screws for easy installation. Leviton's traditional switches are compatible with a wide range of Leviton plastic and metal wallplates.

Specifications and Features

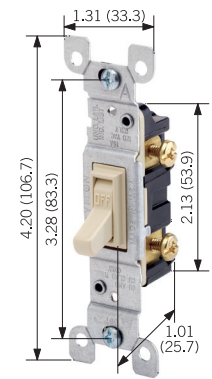
- Faster installation with combination of side wiring and Quickwire push-in wiring
- Terminal screws accept up to No. 12 AWG copper or copper-clad wire
- Quickwire® push-in terminals accept No. 14 AWG solid copper wire only
- Large head, hardened triple-drive combination screws (Standard, Phillips, or Robertson) for fast wiring installation
- Impact-resistant, durable thermoplastic toggle and frame
- Limited Two-Year Warranty



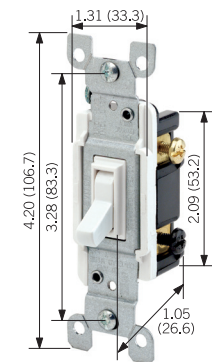
Residential Grade

QUICKWIRE PUSH-IN AND SIDE WIRED U S

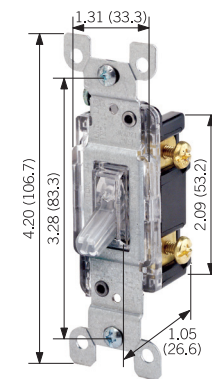
Description	Color	Cat No.	Cat No.	Cat No.
Rating		15A-120VAC non-grounded	15A-120VAC with ground screw	15A-120VAC Self-grounded Backwired Clamp
Single Pole	White	1451-W	1451-2W	RS115-W
	Ivory	1451-I	1451-2I	RS115-I
	Almond	-	1451-2A	RS115-T
	Light Almond	-	1451-2T	
	Black	-	1451-2E	
	Brown	1451	1451-2	
3-Way	White	1453-W	1453-2W	
	Ivory	1453-I	1453-2I	
	Almond	-	1453-2A	
	Light Almond	-	1453-2T	
	Black	-	1453-2E	
	Brown	1451	1453-2	
4-Way	White		54504-2W	
	Ivory		54504-2I	
	Almond		54504-2A	
	Light Almond		54504-2T	
	Black		54504-2GY	
	Brown		54504-2	



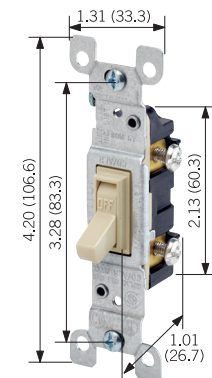
1451



1453



1461-LHC



2651-2

QUICKWIRE AND SIDE WIRED - ILLUMINATED U S

Description	Toggle Color	Illumination	Cat No.
Rating			15A-120VAC with ground screw
Single Pole	Clear	Amber	1461-LHC
3-Way	Clear	Amber	1463-LHC

CO/ALR SIDE WIRED - FRAMED U S

Description	Color	Cat No.
Rating		15A-120VAC with ground screw
Single Pole	White	2651-2W
	Ivory	2651-2I
3-Way	White	2653-2W
	Ivory	2653-2I

NOTE: CO/ALR devices are for connection to 12 or 10 AWG Aluminum Conductors.

Residential Grade

TESTING AND CODE COMPLIANCE

- UL Listed (File #E-7458)
- CSA Certified (File #LR-3413)
- NOM Certified (#057)

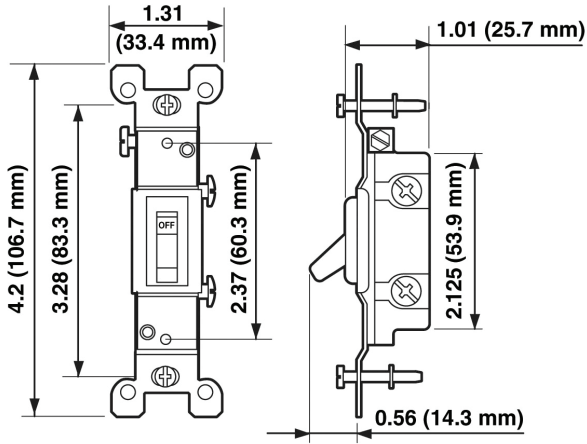
HORSEPOWER

- 15A - $1/2$ @ 120V, 2 @ 240V

MATERIAL CHARACTERISTICS

- Environmental: Flammability, Rated V2
- Operating Temperature: -40°C to 65°C

DIMENSIONS



Traditional Switch