

SUBMITTAL SHEET

JOB NAME

ITEM TAG

JOB LOCATION

PART NUMBER

CONTRACTOR

DATE

ENGINEER APPROVAL

DATE

LEAD-FREE MALE X FEMALE LARGE-PORT BALL VALVE

T-900MxFNL and T-900MxF-TNL



Lead-free design is suitable for all no-lead potable water installations, in full compliance of all lead-free plumbing laws.

Durable forged brass construction.

Space-saving male-by-female end connections are ideal for confined piping installations.

T-handle equipped models can be used as gauge-cock isolation valves, without the gauge face obstruction associated with a lever-handle equipped valve.

Bottom-loaded blowout-proof stem is a maintenance-free, dual O-ring seal design, eliminating the need to tighten a packing nut.

Improved 3M Dyneon* TFM PTFE seats and thrust washers provide enhanced sealing and isolation between the body and ball-stem-handle rotating assembly.

Available in sizes 1/8" to 1" equipped with a lever handle or T-handle.

- Third-party tested and certified in compliance with U.S. Federal Public Law 111-380 (National lead-free plumbing law).
- CSA Certified for use with natural, manufactured, mixed, liquefied petroleum and LP gas/air mixtures (1/2" to 1" lever handle):
 - ANSI Standard Z21.15 for use as a gas appliance connector valve for 1/2-lb systems

- NSF approved to ANSI/NSF Standard 61-G
- Threaded end connections conform to ANSI / ASME B1.20.1
- Manufactured in an ISO accredited facility



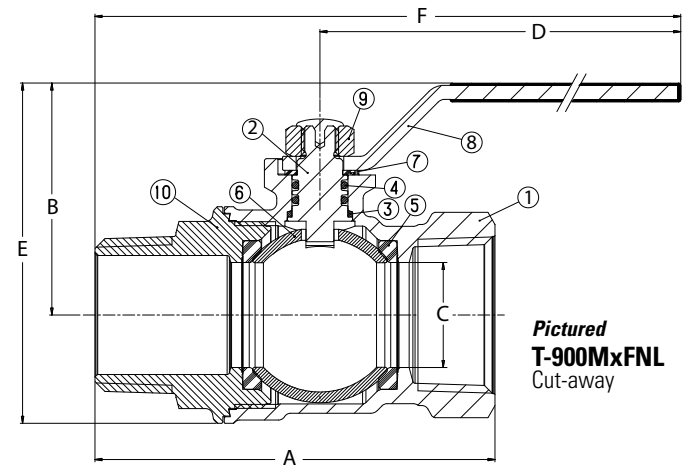
Working Pressure, Non-Shock (PSI)
Cold working pressure (CWP): 1/8" to 3/4": 600
1": 500

Saturated steam (WSP): 125 psi

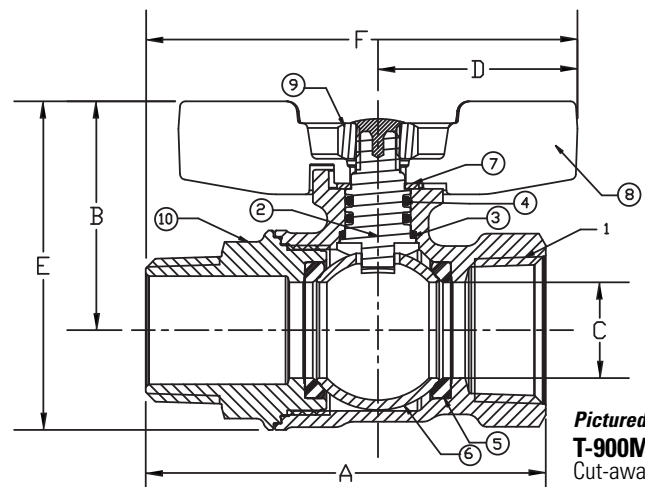
MATERIAL SPECIFICATION		
Part	Material	Specification
1 Body	Lead-free forged brass	CW510 UNS C28500
2 Stem	Lead-free Chrome plated forged brass	CW510 UNS C28500
3 Anti-friction thrust washer	TFM PTFE	Dyneon*
4 Stem O-ring (2)	Fluorocarbon	Viton**
5 Seat (2)	TFM PTFE	Dyneon*
6 Ball	Lead-free Chrome plated forged brass	CW510 UNS C28500
7 Anti-friction washer	TFM PTFE	Dyneon*
8 Handle (T-900 M x F-T-handle)	Dacromet coated steel with vinyl sleeve Coated aluminum	ASTM A510 UNS G10060 Commercial grade, die-cast
9 Handle nut	Dacromet coated steel with PVC resin lock	ASTM A510 UNS G10060
10 End adapter	Lead-free forged brass	CW510 UNS C28500

DIMENSIONS T-900MxFNL							
Size	A	B	C	D	E	F	CV†
1/8"	1.87	1.06	0.32	1.68	1.44	2.78	7.00
1/4"	1.95	1.06	0.32	1.68	1.44	2.86	7.63
3/8"	2.20	1.28	0.39	3.01	1.81	4.28	7.73
1/2"	2.50	1.33	0.50	3.01	1.91	4.46	11.78
3/4"	2.87	1.79	0.69	3.70	2.51	5.36	21.37
1"	3.37	1.96	0.89	3.70	2.87	5.60	41.93

DIMENSIONS T-900MxF-TNL							
Size	A	B	C	D	E	F	CV†
1/8"	1.87	1.00	0.32	0.79	1.36	1.91	7.00
1/4"	1.95	1.00	0.32	0.79	1.36	1.99	7.63
3/8"	2.20	1.38	0.39	1.25	1.90	2.52	7.73
1/2"	2.50	1.42	0.50	1.25	2.01	2.69	11.78
3/4"	2.87	1.62	0.69	1.44	2.40	3.10	21.37
1"	3.37	1.80	0.89	1.44	2.72	3.34	41.93



Pictured T-900MxFNL Cut-away



Pictured T-900MxF-TNL Cut-away

*Dyneon TFM is a registered trademark of the 3M company
 **Viton is a registered trademark of DuPont
 †The CV Factor is the gallons of water per minute passed through the valve with a 1 PSI pressure drop