

SUBMITTAL SHEET

JOB NAME	ITEM TAG
JOB LOCATION	PART NUMBER
CONTRACTOR	DATE
ENGINEER APPROVAL	DATE

LEAD-FREE BRASS SILLCOCKS

T/S-541NL and T/S-541LSNL

Lead-free design is suitable for all no-lead potable water installations, in full compliance of all lead-free plumbing laws.

Full-pattern body, stem and handwheel construction is more durable than competitors' reduced-material examples.

An electric-induction furnace casting process optimizes molten brass temperatures, resulting in superior cast body and bonnet components.

Equipped with a stem packing and packing nut design, which are superior to packless-bonnet stem seal designs.

All 3/4" GHT (garden hose) outlets accept 3/4" hose-thread-mounted vacuum breakers, including our models T-553, T-553C, T-554, T-555, T-556, T-557 and T-557C*.

T-541LSNL and S-541LSNL models feature a removable handwheel and extended lock-shield packing nut, for tamper-resistant applications.

Available in nominal 1/2" and 3/4" FNPT, CTS (sweat) or 1/2" PEX inlet x 3/4" MGHT hose thread outlet sizes.

**These models are not included with the T/S-541NL or T/S-541LSNL and do not appear on this submittal sheet. Please check your local backflow prevention code requirements and contact Legend for additional submittal information.*

Working Pressure, Non Shock (PSI)

Cold working pressure (CWP): 125 p.s.i.
Saturated steam (WSP): Not suitable for steam service

MATERIAL SPECIFICATION

PART	MATERIAL	SPECIFICATION
1 Handle	Cast iron	ASTM A48 Class 35
2 Handle fastener	Cadmium plated steel nut (T/S-541NL)	AISI 1010
	Brass screw (T/S-541LSNL)	ASTM B16 C36000
3 Stem	Lead-free cast brass	UNS Alloy C46400
4 Stem packing	NBR (Buna-N) rubber	Commercial grade
5 Packing nut (T/S-541NL)	Brass	ASTM B16 C36000
5 Lockshield (T/S-541LSNL)	Brass	ASTM B16 C36000
6 Bonnet	Lead-free cast brass	UNS Alloy C46400
7 Body	Lead-free cast brass	UNS Alloy C46400
8 Seat washer	NBR (Buna-N) rubber	Commercial grade
9 Seat retaining screw	Stainless steel	AISI grade 304

DIMENSIONS

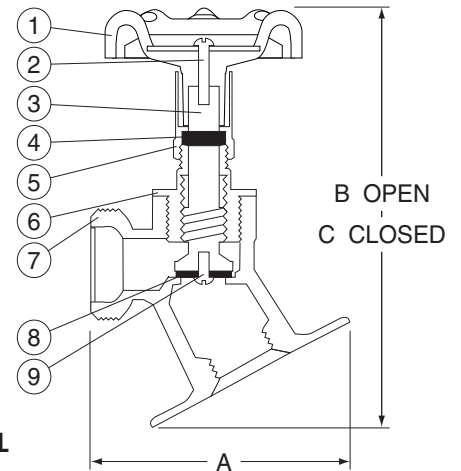
Size	A	B	C
1/2" FNPT x 3/4" MGHT	2.31	3.89	3.55
3/4" FNPT x 3/4" MGHT	2.37	3.98	3.71
1/2" Swt. x 3/4" MGHT	2.10	3.75	3.47
3/4" Swt. x 3/4" MGHT	2.39	3.89	3.64
1/2" FNPT x 3/4" MGHT Lockshield	2.09	4.22	4.07
1/2" Swt. x 3/4" MGHT Lockshield	2.16	3.98	3.81
3/4" FNPT x 3/4" MGHT Lockshield	2.46	4.35	4.22
1/2" PEX insert x 3/4" MGHT	2.09	3.75	3.46

- Third-party tested and certified in compliance with U.S. Federal Public Law 111-380 (National lead-free plumbing law).
- CSA certified for Canadian plumbing applications
- End connections comply with:
 - ANSI / ASME B1.20.1 (FNPT)
 - ASME B16.18 (CTS)
 - ASTM F1807 (PEX)
 - ANSI/ASME B1.20.7 (Male Garden Hose Outlet)

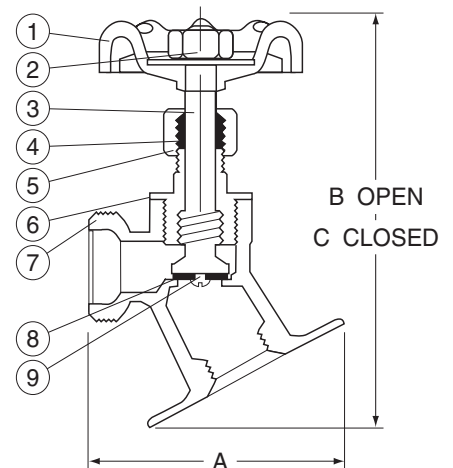
- Manufactured in an ISO accredited facility



Pictured T-541NL



Pictured T-541LSNL Cut-away



Pictured T-541NL Cut-away