

## SUBMITTAL SHEET

JOB NAME

ITEM TAG

JOB LOCATION

PART NUMBER

CONTRACTOR

DATE

ENGINEER APPROVAL

DATE

# LEAD-FREE FULL PORT TUBING COMPRESSION BALL VALVE

## T-2009NL

Lead-free design is suitable for all no-lead potable water installations, in full compliance of all lead-free plumbing laws.

Dezincification-resistant (DZR) forged brass construction resists corrosion from exposure to a wide variety of water conditions.

Tubing compression connections permit easy, convenient, lead-free compliant replacement of a worn, leaded valve, without the need for sweating.

Quarter-turn, positive-shutoff full port design, make the T-2009NL the ideal replacement for a leaking multi-turn, drip-tight, reduced port gate valve.

Self-cleaning chrome-plated ball resists mineral build-up and scaling.

Available with reversible-position handle, offering installation flexibility in confined applications.

Available in CTS sizes 1/2" - 1"

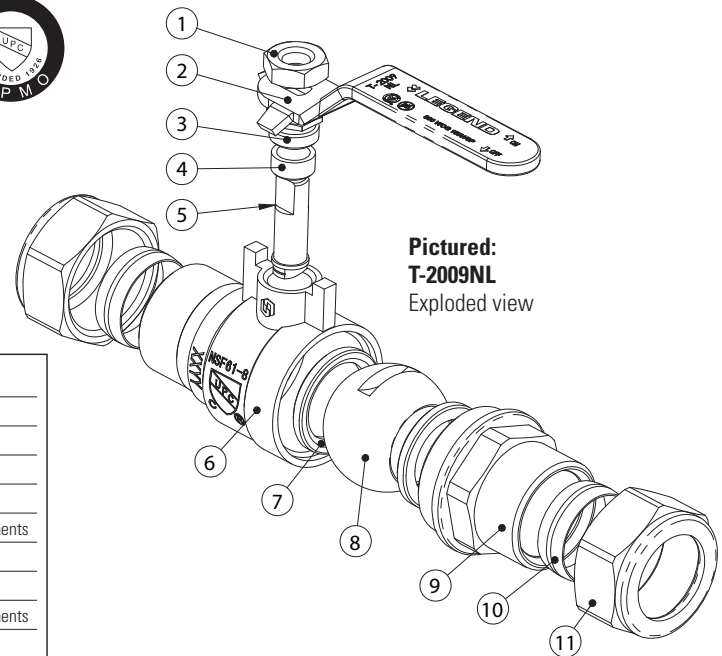
### Working Pressure, Non Shock (PSI)

Cold working pressure (CWP): 1/2"-1" 600 CWP  
Saturated steam (WSP): 150 p.s.i.

- Third-party tested and certified in compliance with U.S. Federal Public Law 111-380 (National lead-free plumbing law).
- UPC / IAMPO certified to ANSI / NSF Standard 61-G.
- Manufactured in an ISO accredited facility.



**Pictured:  
T-2009NL**



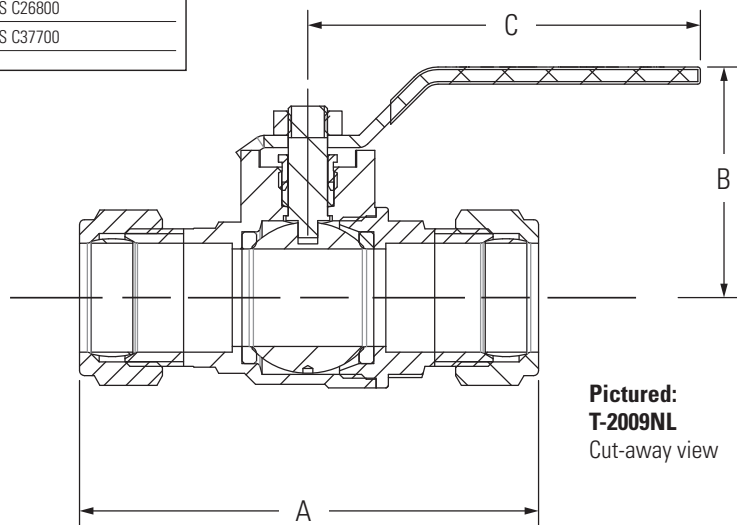
**Pictured:  
T-2009NL  
Exploded view**

### MATERIAL SPECIFICATION

| PART                       | MATERIAL                             | SPECIFICATION                          |
|----------------------------|--------------------------------------|--|
| 1 Handle nut               | Zinc plated steel                    | ASME SA6, SA283 Grade C                |
| 2 Lever handle             | Zinc plated steel                    | ASME SA6, SA283 Grade C                |
| 3 Packing nut              | Forged brass                         | ASTM B455 UNS C38500                   |
| 4 Stem packing             | PTFE                                 | Comerial grade, meets NSF requirements |
| 5 Stem                     | Lead-free forged brass               | UNS Alloy C46500                       |
| 6 Body                     | Lead-free forged brass               | UNS Alloy C46500                       |
| 7 Seats (2)                | PTFE                                 | Comerial grade, meets NSF requirements |
| 8 Ball                     | Lead-free chrome plated forged brass | UNS Alloy C46500                       |
| 9 End adapter              | Lead-free forged brass               | UNS Alloy C46500                       |
| 10 Compression ferrule (2) | Lead- free forged brass              | ASTM B587 UNS C26800                   |
| 11 Compression nut (2)     | Forged brass                         | ASTM B124 UNS C37700                   |

### DIMENSIONS

| Size | A    | B    | C    |
|------|------|------|------|
| 1/2" | 3.08 | 1.69 | 2.95 |
| 3/4" | 3.72 | 1.86 | 3.17 |
| 1"   | 4.07 | 2.35 | 4.17 |



**Pictured:  
T-2009NL  
Cut-away view**