

SUBMITTAL SHEET

JOB NAME	ITEM TAG
JOB LOCATION	PART NUMBER
CONTRACTOR	DATE
ENGINEER APPROVAL	DATE

LEAD-FREE QUARTER TURN ANTI-SIPHON FROST FREE SILLCOCK

T-550NL and T-550PNL

Lead-free design is suitable for all no-lead potable water installations, in full compliance of all lead-free plumbing laws.

Patented Softouch, rubber-clad handwheel is easy to operate with wet or gloved hands.

Quarter-turn operation.

Dual ceramic discs offer durable, positive shut-off.

Oversized, angled mounting flange with screw slots - covers enlarged, over-drilled sill holes.

Industry leading flow: 10 GPM at 50 p.s.i.

- Third-party tested and certified in compliance with U.S. Federal Public Law 111-380 (National lead-free plumbing law).

- A.S.S.E 1019 Certified, Type A device.

- Certified to NSF/ANSI Standard 61-G.

- cUPC / IAPMO Approved

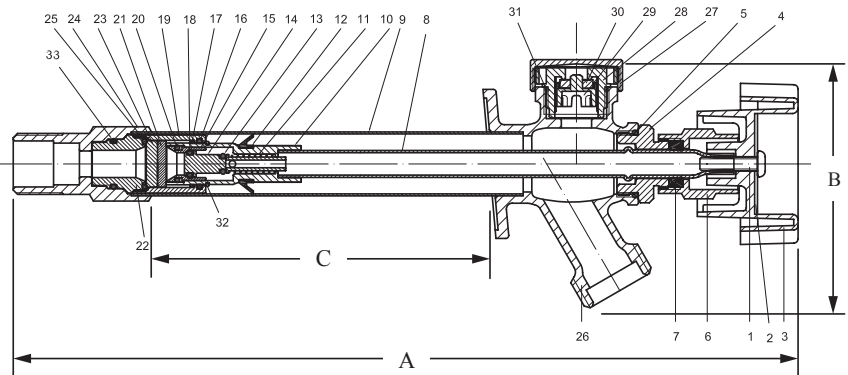
- End connections comply with the following specifications:
ANSI / ASME B1.20.1 (MNPT and FNPT)
ANSI / ASME B16.18 (CTS solder)
ASTM F1807 (PEX barb)
ANSI / ASME B1.20.7 (male garden hose outlet)



MATERIAL SPECIFICATION		
PART	MATERIAL	SPECIFICATION
1	Handle screw	Forged brass UNS Alloy C26000
2	Identification plate	Aluminum Commercial grade
3	Handwheel	Aluminum & TPR rubber
4	Bonnet nut	Lead-free forged brass, chrome plated UNS Alloy C46400
5	Bonnet nut O-ring	NBR (Nitrile) Rubber Commercial grade
6	Packing nut	Forged brass UNS Alloy C36000
7	Stem packing	NBR (Nitrile) Rubber Commercial grade
8	Stem	Lead-free brass UNS Alloy C27000
9	Outer Tube	Lead-free brass UNS Alloy C27000
10	Cartridge Stem	Lead-free forged brass UNS Alloy C27000
11	Spring	Stainless Steel UNS Alloy C27000
12	Cup Washer	NBR (Nitrile) Rubber Commercial grade
13	O-Ring	EPDM Rubber Commercial grade
14	Check Valve Piston	Lead-free forged brass UNS Alloy C46400
15	Spacer	Lead-free forged brass UNS Alloy C46400
16	O-Ring	Fluoroelastomer Rubber Viton*
17	Cartridge Packing	PTFE Teflon*
18	O-Ring	EPDM Rubber Commercial grade
19	Cartridge Body	Lead-free brass UNS Alloy C46400
20	Spacer O-Ring	EPDM Rubber Commercial grade
21	Ceramic Disk	Ceramic Commercial grade
22	Cartridge End	Lead-free forged brass UNS Alloy C46400
23	Ceramic Disk	Ceramic Commercial grade
24	End Adapter	Lead-free forged brass, chrome plated UNS Alloy C46400
25	O-Ring	EPDM Rubber Commercial grade
26	Exterior body	Lead-free brass, chrome plated UNS Alloy C6802
27	Vacuum breaker cap	Forged Brass UNS Alloy C36000
28	Vacuum breaker body	POM COPOLYMER 090
29	Vacuum breaker disk	POM COPOLYMER 090
30	Vacuum breaker seat	NBR (Nitrile) Rubber Commercial grade
31	Vacuum breaker O-ring	NBR (Nitrile) Rubber Commercial grade
32	Retaining Clip	Stainless Steel AISI Grade 304
33	O-ring	Fluoroelastomer Rubber Viton*

* Teflon & Viton are registered trademarks of DuPont.

DIMENSIONS			
Size	A	B	C Nominal Length
8"	13.75	3.40	7.67
10"	15.75	3.40	9.67
12"	17.75	3.40	11.67
14"	19.75	3.40	13.67



WARNING: Hose must be removed in order to prevent freezing or warranty will be null & void!

**Pictured:
Model T-550NL
Cut-away**

