

## SUBMITTAL SHEET

JOB NAME	ITEM TAG
JOB LOCATION	PART NUMBER
CONTRACTOR	DATE
ENGINEER APPROVAL	DATE

# LEAD FREE FULL PORT PEX x PEX BALL VALVE

## T-2006NL (No-lead)

Lead-free design is suitable for all no-lead potable water installations, in full compliance of all lead-free plumbing laws.

Durable, forged brass construction is smaller, yet stronger than cast versions making them ideal for confined tubing installations.

Maintenance-free dual O-ring, blowout-proof stem design eliminates the stem packing nut, thereby eliminating the need for periodic nut tightening.

PTFE Teflon\* seats assure a positive shutoff and a longer in-service life over ball valves with other seat types.

Self-cleaning chrome-plated ball resists mineral build-up and scaling typically found in harsh, varying water conditions.

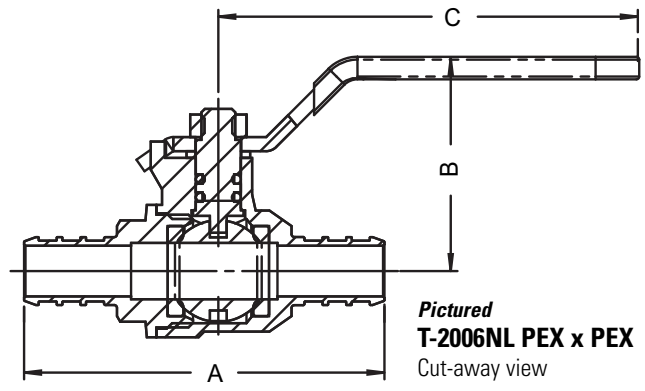
Available in nominal sizes 1/2", 3/4", 1" and 1-1/4".

### Working Pressure, Non-Shock (PSI)

Cold working pressure (CWP): 400

Saturated steam (WSP): Not suitable for steam service

- Third-party tested and certified in compliance with all lead-free plumbing laws, including U.S. Federal Public Law 111-380.
- UPC / IAPMO certified in compliance with ANSI / NSF Standard 14
- PEX barb ends comply with ASTM F1807
- Manufactured in an ISO accredited facility



MATERIAL SPECIFICATION		
PART	MATERIAL	SPECIFICATION
1 Handle nut	Zinc plated steel	ASME SA6, SA283 Grade C
2 Lever handle	Zinc plated steel	ASME SA6, SA283 Grade C
3 Anti-friction washer	PTFE	Dupont Teflon*
4 Body	Lead-free forged brass	UNS Alloy C46500
5 Seats (2)	PTFE	Dupont Teflon*
6 Ball	Lead-free chrome plated forged brass	UNS Alloy C46500
7 End adapter	Lead-free forged brass	UNS Alloy C46500
8 Stem O-rings (2)	EPDM Rubber	Commercial grade, NSF compliant
9 Stem	Lead-free forged brass	UNS Alloy C46500

\*Teflon is a registered trademark of the Dupont Company

DIMENSIONS			
Size	A	B	C
1/2"	2.52	1.49	3.17
3/4"	2.62	1.57	3.17
1"	3.21	1.91	4.15
1-1/4"	3.58	2.16	5.12

