

## SUBMITTAL SHEET

JOB NAME	ITEM TAG
JOB LOCATION	PART NUMBER
CONTRACTOR	DATE
ENGINEER APPROVAL	DATE

# GALVANIZED COMPRESSION COUPLING

## Long Pattern

- ASTM a123/a123m-02 standard

Specification for zinc(hot-dip

Galvanized)coatings on iron and steel

Products

### Working Pressure, Non Shock (PSI)

Cold working pressure (CWP): 125

Saturated steam (WSP): Not suitable for stream service

Maximum service temperature: 210 F<sup>0</sup>



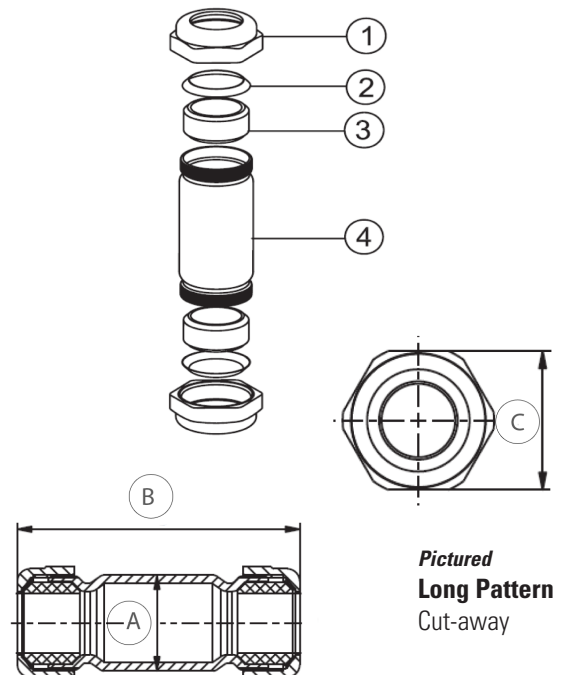
*Pictured  
Long Pattern*

### MATERIAL SPECIFICATION

PART	MATERIAL	SPECIFICATION
1 Nut	Steel	
2 Anti-friction ring (2)	Steel	
3 Compression Gasket (2)	EPDM	
4 Body	Steel	

### DIMENSIONS

Nominal Size	A	B	C
1/2"	1.34"	3.94"	1.58"
3/4"	1.58"	4"	1.77"
1"	1.88"	4.43"	2.09"
1-1/4"	2.24"	4.80"	2.56"
1-1/2"	2.50"	4.90"	2.84"
2"	2.99"	5.14"	3.33"



*Pictured  
Long Pattern  
Cut-away*