

SUBMITTAL SHEET

JOB NAME		ITEM TAG
JOB LOCATION		PART NUMBER
CONTRACTOR	DATE	
ENGINEER APPROVAL	DATE	

VENTURI TEE

Model T-569

Working Pressure, Non Shock (PSI)

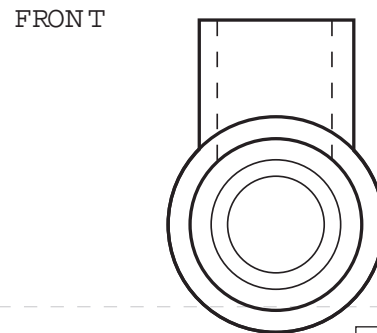
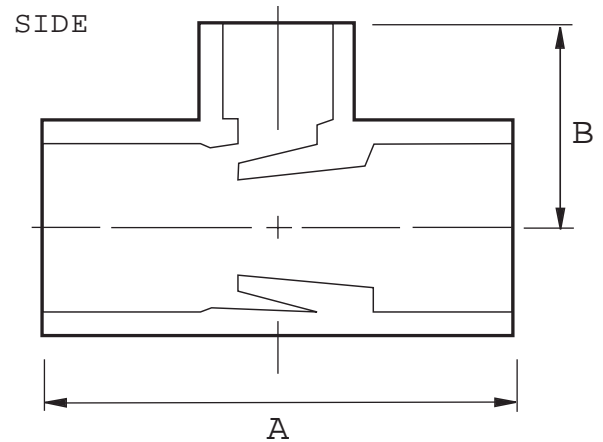
Cold working pressure (CWP):

Saturated steam (WSP):



Pictured
Model T-569

Pictured
Model T-569
Cut-away



MATERIAL SPECIFICATION		
PART	MATERIAL	SPECIFICATION
Body	Bronze	

DIMENSIONS		
Size	A	B
3/4"x1/2"	2.28	1.06
1"x1/2"	2.52	1.16
1"x3/4"	2.52	1.24
1-1/4"x1/2"	2.52	1.32
1-1/4"x3/4"	2.72	1.36