

SUBMITTAL SHEET

| | | |
|-------------------|------|-------------|
| JOB NAME | | ITEM TAG |
| JOB LOCATION | | PART NUMBER |
| CONTRACTOR | DATE | |
| ENGINEER APPROVAL | DATE | |

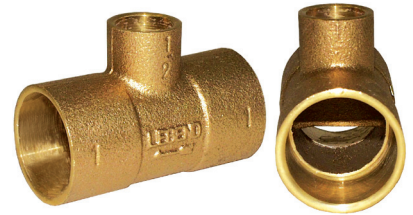
MONO-FLOW TEE

Model T-570

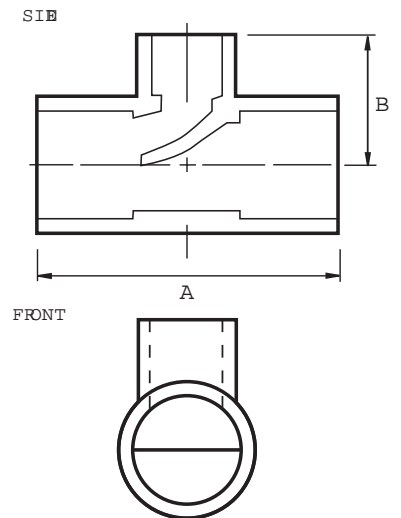
Working Pressure, Non Shock (PSI)

Cold working pressure (CWP):

Saturated steam (WSP):



Pictured
Model T-570



Pictured
Model T-570
Cut-away

| MATERIAL SPECIFICATION | | |
|-------------------------------|----------|---------------|
| PART | MATERIAL | SPECIFICATION |
| Body | Bronze | |

| DIMENSIONS | | |
|-------------------|------|------|
| Size | A | B |
| 3/4"x1/2" | 2.28 | 1.16 |
| 1"x1/2" | 2.52 | 1.16 |
| 1"x3/4" | 2.52 | 1.24 |
| 1-1/4"x1/2" | 2.52 | 1.32 |
| 1-1/4"x3/4" | 2.72 | 1.36 |