

**SUBMITTAL SHEET**

JOB NAME	ITEM TAG
JOB LOCATION	PART NUMBER
CONTRACTOR	DATE
ENGINEER APPROVAL	DATE

**CPVC BALL VALVE**

**Model S-605**



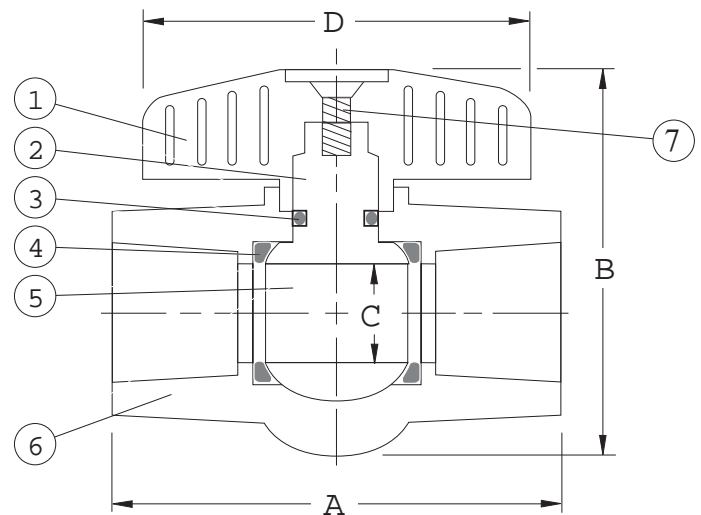
**Pictured Model S-605**

1/2", 3/4" & 1" Are full-port  
All sizes comply with NSF 61  
All end connections are CTS

**Working Pressure, Non Shock (PSI)**

Cold working pressure (CWP): 150 P.S.I. @ 73°F  
Maximum temperature: 180°F

<b>DIMENSIONS</b>				
Size	A	B	C	D
1/2"	2.69	2.00	.50	2.38
3/4"	3.25	2.50	.75	2.81
1"	3.75	3.88	1.00	3.50
1-1/4"	4.19	3.68	1.13	4.00
1-1/2"	4.50	3.81	1.35	4.00
2"	5.69	4.63	1.81	4.31



**Pictured Model S-605 Cut-away**

<b>MATERIAL SPECIFICATION</b>	
PART	MATERIAL
1 Handle	ABS
2 Stem	CPVC
3 Stem o-ring	EPDM
4 Seats	EPDM/PTFE
5 Ball	CPVC
6 Body	CPVC
7 Handle retaining screw	Zinc plated steel