

SUBMITTAL SHEET

JOB NAME	ITEM TAG
JOB LOCATION	PART NUMBER
CONTRACTOR	DATE
ENGINEER APPROVAL	DATE

PVCBALL VALVE

Model T/S-600

Working Pressure, Non Shock (PSI)

Cold working pressure (CWP): 150 PSI @ 73°F

Maximum service temperature: 140°F

May be used on schedule 40 or 80 PVC pipe.

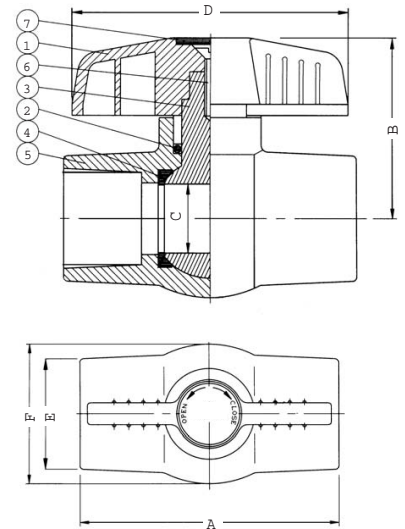


**Pictured
Model T/S-600**

MATERIAL SPECIFICATION

PART	MATERIAL
1 Handle	ABS
2 Stem o-ring	EPDM
3 Stem & ball	UPVC
4 Seats	EPDM
5 Body	PVC
6 Handle retaining screw	Zinc plated steel
7 ID disc	ABS

**Pictured
Model
T/S-600
Cut-away**



DIMENSIONS

Size	A	B	C	D	E	F
1/2"	3.25	2.50	.55	3.13	1.18	1.50
3/4"	3.80	3.13	.77	3.50	1.50	1.93
1"	4.19	3.75	.97	4.00	1.77	2.24
1-1/4"	4.25	4.00	1.14	4.00	2.13	2.48
1-1/2"	5.13	4.50	1.42	4.25	2.44	2.95
2"	5.80	5.3	1.83	5.31	3.03	3.62