

SUBMITTAL SHEET

JOB NAME		ITEM TAG
JOB LOCATION		PART NUMBER
CONTRACTOR	DATE	
ENGINEER APPROVAL	DATE	

PVC BALL VALVE

Model T/S-602

Maximum service temperature: 140°F

May be used on schedule 40 or 80 PVC pipe.

Maximum service temperature: 140°F

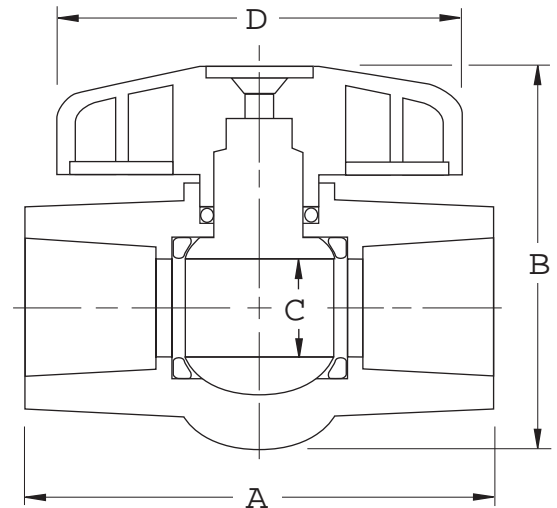
May be used on schedule 40 or 80 PVC pipe.

Working Pressure, Non Shock (PSI)

Cold working pressure (CWP): 150 PSI @ 73°F



Pictured Model T/S-602 Cut-away



MATERIAL SPECIFICATION		
PART		MATERIAL
1	Handle	ABS
2	Stem o-ring	EPDM
3	Stem	UPVC
4	Ball	UPVC
5	Seats	PTFE
6	Body	UPVC
7	Handle retaining screw	Zinc plated steel

*Teflon is a registered trademark of Dupont

DIMENSIONS				
Size	A	B	C	D
1/2"	3.25	2.50	.55	3.13
3/4"	3.80	3.13	.77	3.50
1"	4.19	3.75	.97	4.00
1-1/4"	4.25	4.00	1.14	4.00
1-1/2"	5.13	4.50	1.42	4.25
2"	5.80	5.3	1.83	5.31