

SUBMITTAL SHEET

JOB NAME	ITEM TAG
JOB LOCATION	PART NUMBER
CONTRACTOR	DATE
ENGINEER APPROVAL	DATE

GEAR OPERATED PVC BUTTERFLY VALVE

Model S-651

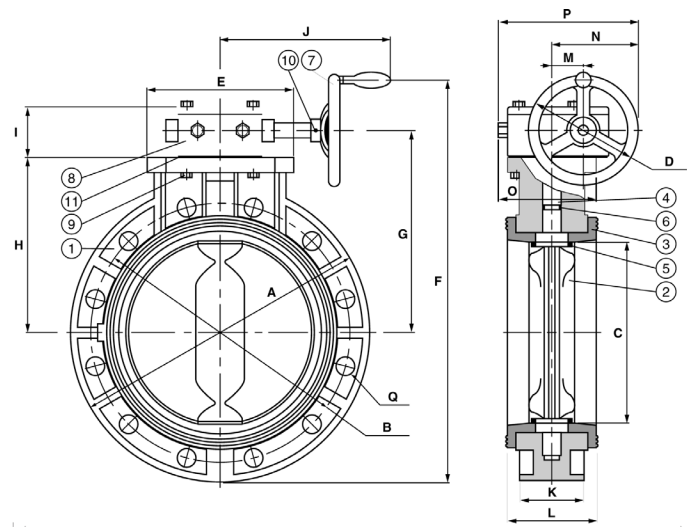
- EPDM Seat, Seal and Stem O-rings
- Gear Operated
- Full- Pattern wafer- Style Body

- 8", 10": 150 WOG AT 73°F
- 12": 100 WOG AT 73°F
- 8" & 10" Pressure Tested to 180 psi
- 12" Pressure Tested to 150 psi

Pictured
S-651



MATERIAL SPECIFICATION		
PART	MATERIAL	SPECIFICATION
1	Body	UPVC ASTM D1784, Class 12454
2	Disc	Polypropylene
3	Seat	EPDM
4	Stem	410 Stainless steel AISI 410
5	O-ring 1	EPDM
6	O-ring 2	EPDM
7	Handwheel	Cast iron ASTM A48 Class 30
8	Gear box	Cast iron ASTM A48 Class 30
9	Bolt & washer	304 Stainless steel AISI 304
10	Spring pin	304 Stainless steel AISI 304
11	Packing	EPDM



Pictured
S-651
Cut-away

DIMENSIONS																	
Size	A	B	C	D	E	F	G	H	I	J	K	L	M	N	O	P	Q
8"	13.50	11.75	7.87	7.87	7.87	21.26	9.84	8.27	2.99	10.91	2.68	3.43	2.24	6.18	5.12	9.45	.91
10"	16.18	14.25	10.04	7.87	8.07	23.23	11.02	9.45	2.99	10.95	3.47	4.33	2.24	6.18	5.12	9.45	.98
12"	19.29	17.00	12.24	9.84	9.29	28.03	13.27	11.69	2.99	11.10	4.17	5.20	2.40	7.32	7.48	9.61	.98