

**SUBMITTAL SHEET**

JOB NAME		ITEM TAG	
JOB LOCATION		PART NUMBER	
CONTRACTOR	DATE		
ENGINEER APPROVAL	DATE		

**PVC TRUE UNION BALL VALVE**

**Model T/S-603**

Pressure rating: 150 @ 73°F  
 Maximum service temperature: 140°F  
 Sizes 1/2" - 2" include both threaded and solvent end adapters.  
 Sizes 2-1/2" - 4" include solvent ends only.

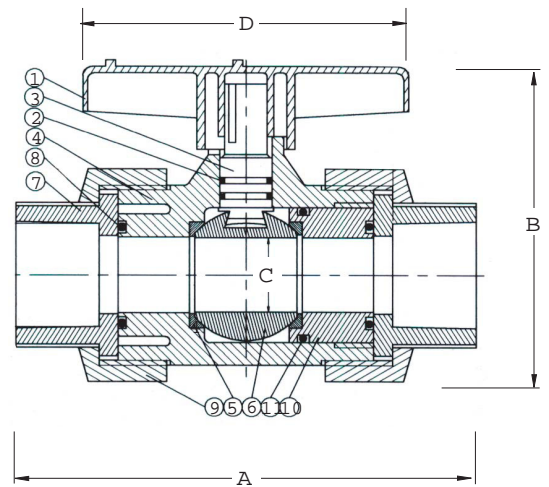
**Working Pressure, Non Shock (PSI)**

Cold working pressure (CWP):  
 Saturated steam (WSP):

*Pictured*  
**Model T/S-603**



*Pictured*  
**Model T/S-603**  
Cut-away



DIMENSIONS				
Size	A	B	C	D
1/2"	4.38	2.75	.51	3.13
3/4"	5.13	3.31	.71	3.63
1"	5.63	3.88	.91	3.88
1-1/4"	6.63	4.63	1.20	4.31
1-1/2"	6.75	5.38	1.51	4.75
2"	8.13	6.63	1.89	5.81
2-1/2"	9.38	7.31	2.45	7.13
3"	10.25	8.13	2.65	9.38
4"	12.88	11.31	3.90	10.88

MATERIAL SPECIFICATION		
PART	MATERIAL	SPECIFICATION
1 Handle	ABS	
2 Stem o-rings (2)	EPDM	
3 Stem	UPVC	
4 Body	UPVC	
5 Seats (2)	*Teflon	
6 Ball	UPVC	
7 End adapters (2)	UPVC	
8 Union o-rings (2)	EPDM	
9 Union nuts (2)	UPVC	
10 Seat carrier	UPVC	
11 Carrier o-ring	EPDM	

\*Teflon is a registered trademark of Dupont