

SUBMITTAL SHEET

JOB NAME	ITEM TAG
JOB LOCATION	PART NUMBER
CONTRACTOR	DATE
ENGINEER APPROVAL	DATE

UNION ELBOW

Model T-438/S-438

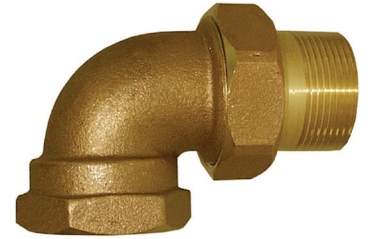
60 Hot water non-shock

Working Pressure, Non Shock (PSI)

Cold working pressure (CWP): 60 CWP

Saturated steam (WSP): 15 WSP

Pictured
Model T-438/S-438

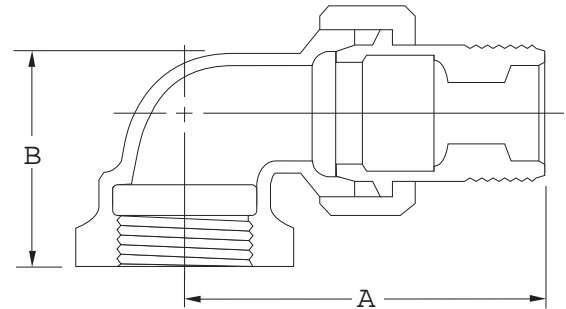


MATERIAL SPECIFICATION

PART	MATERIAL	SPECIFICATION
1 Elbow	Cast brass	C85700
2 Nut	Cast brass	C85700
3 Nipple	Forged brass	B124, C37700

DIMENSIONS

Size	A (F.I.P.)	B (SWT)	C (F.I.P.)	D (SWT)
1/2"	2.24	2.15	1.42	1.63
3/4"	2.56	2.41	1.31	2.00
1"	2.84		2.00	
1-1/4"	3.40		2.50	



Pictured
Model T-438/S-438
Cut-away