

SUBMITTAL SHEET

JOB NAME	ITEM TAG
JOB LOCATION	PART NUMBER
CONTRACTOR	DATE
ENGINEER APPROVAL	DATE

STEAM RADIATOR GATE VALVE

Model T-435

200 W.O.G. Non-shock

Working Pressure, Non Shock (PSI)

Cold working pressure (CWP):

Saturated steam (WSP):120



Pictured Model T-435

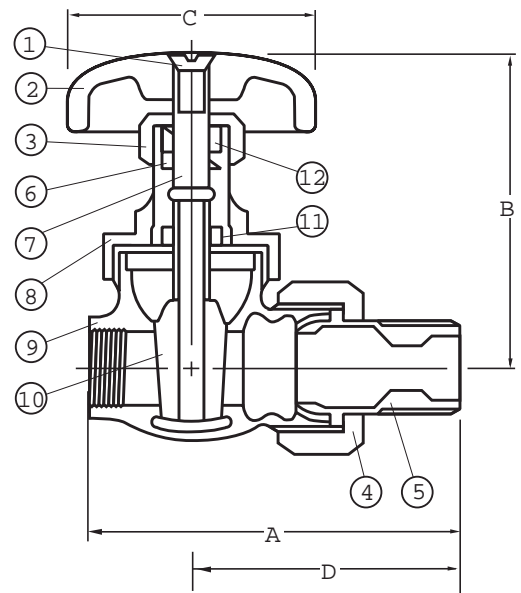
MATERIAL SPECIFICATION

PART	MATERIAL	SPECIFICATION
1 Handle screw	Steel	
2 Handle	Phenolic	
3 Packing nut	Brass	
4 Union nut	Bronze	
5 Tailpiece	Bronze	
6 Packing	*Teflon	
7 Stem	Forged brass	
8 Bonnet	Bronze	
9 Body	Bronze	
10 Disc	Bronze	
11 Lock nut	Brass	
12 Gland	Brass	

*Teflon is a registered trademark of DUPONT

DIMENSIONS

Size	A	B	C	D
1/2"	2.98	2.96	2.30	2.10
3/4"	3.54	3.46	2.30	2.55
1"	3.95	3.83	2.30	2.80
1-1/4"	4.38	4.49	2.30	3.07
1-1/2"	4.88	5.18	2.30	3.61



Pictured Model T-435 Cut-away