

SUBMITTAL SHEET

JOB NAME	ITEM TAG
JOB LOCATION	PART NUMBER
CONTRACTOR	DATE
ENGINEER APPROVAL	DATE

STEAM ANGLE RADIATOR VALVE

Model T-431

15 W.S.P.

60 hot water non-shock

Working Pressure, Non Shock (PSI)

Cold working pressure (CWP):

Saturated steam (WSP):

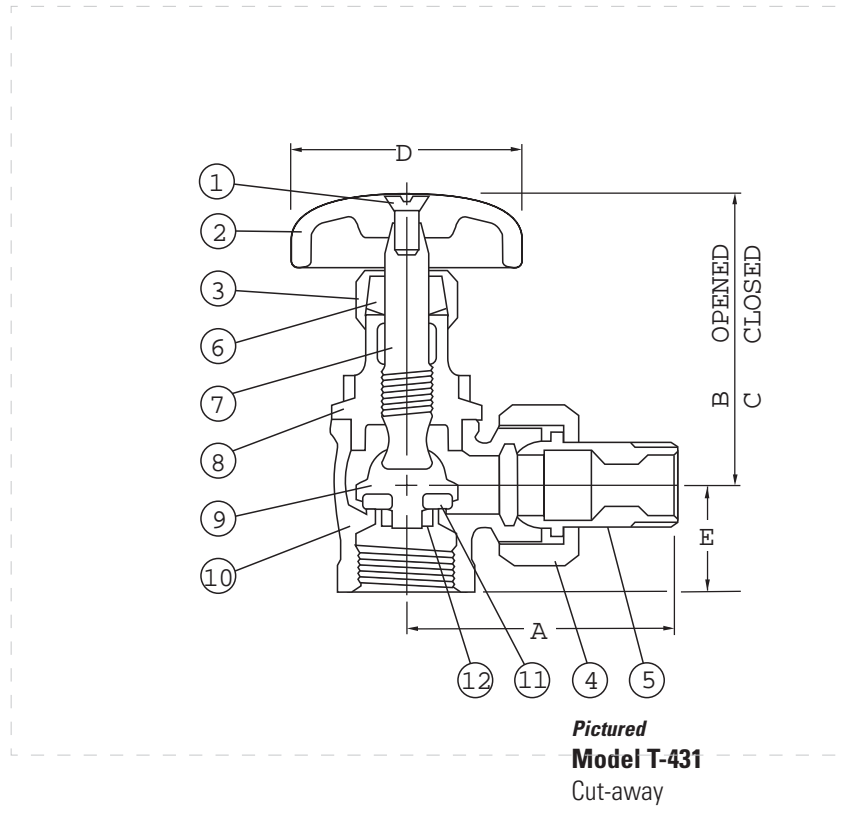


Pictured Model T-431

MATERIAL SPECIFICATION		
PART	MATERIAL	SPECIFICATION
1	Handle screw	Steel
2	Handle	Phenolic
3	Packing nut	Brass
4	Union nut	Bronze
5	Tailpiece	Bronze
6	Packing	*Teflon
7	Stem	Forged brass
8	Bonnet	Bronze
9	Disc holder	Bronze
10	Body	Bronze
11	Disc	Epdm

*Teflon is a registered trademark of DUPONT

DIMENSIONS					
Size	A	B	C	D	E
1/2"	2.28	2.99	2.66	2.30	.968
3/4"	2.54	3.18	2.74	2.30	1.16
1"	2.85	3.61	2.95	2.30	1.22
1-1/4"	3.22	3.82	3.26	2.30	1.44
1-1/2"	3.55	4.17	3.40	2.30	1.72
2"	4.17	6.39	2.75	2.76	2.31



Pictured Model T-431
Cut-away