

SUBMITTAL SHEET

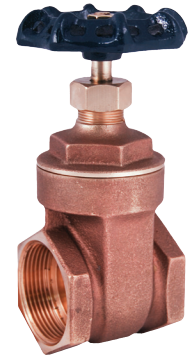
JOB NAME	ITEM TAG
JOB LOCATION	PART NUMBER
CONTRACTOR	DATE
ENGINEER APPROVAL	DATE

LEAD FREE BRASS GATE VALVE

T/S-408 NO LEAD

Durable, all-brass body construction
 Full-flow waterway reduces pressure drop
 Non-rising stem design is compact and reliable
 Solid, fully-guided disc-wedge opens completely out of the flow path
 Integral seats are precision-ground to match each disc-wedge

- Complies with state and national no lead laws: IAPMO file# 6127
- End connections comply with ANSI/ASME B1.20.1 and ASME B16.18
- Manufactured in an ISO accredited facility



Pictured Model T-408

Working Pressure, Non Shock (PSI)

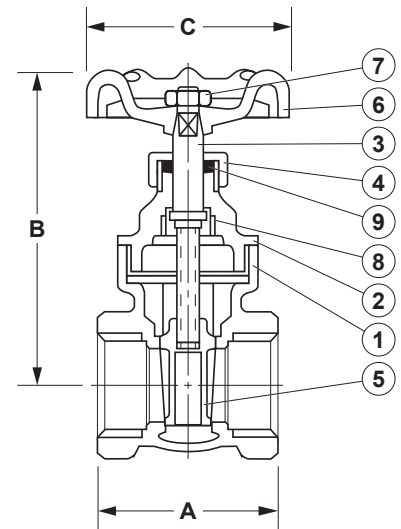
Cold working pressure (CWP): 200 PSI
 Saturated steam (WSP): Not suitable for steam service

MATERIAL SPECIFICATION

PART	MATERIAL	SPECIFICATION
1 Body	Cast brass	ASTM B806 UNS C89540
2 Bonnet	Cast brass	ASTM B806 UNS C89540
3 Stem	Brass	ASTM B806 UNS C89540
4 Packing nut	Brass	ASTM B16 UNS C36000
5 Disc	Brass	ASTM B16 UNS C36000
6 Hand wheel	Cast iron	JIS ZZ2202
7 Wheel nut	Brass	ASTM B124 UNS C37700
8 Locknut	Brass	ASTM B16 UNS C36000
9 Stem packing	Graphite	LK33 NAFG

DIMENSIONS

Size	A (IPS)	A (CxC)	B	C
1/2"	1.71	1.69	2.92	2.01
3/4"	1.81	2.33	3.31	2.21
1"	2.13	2.72	3.90	2.56
1-1/4"	2.24	2.94	4.61	2.76
1-1/2"	2.44	3.29	5.08	3.11
2"	2.68	3.98	5.99	3.70
2-1/2"	3.70	6.90	6.90	4.02
3"	4.02	8.47	8.47	5.00
4"	4.53	9.89	9.89	5.00



Pictured Model T-408
Cut-away