

SUBMITTAL SHEET

JOB NAME	ITEM TAG
JOB LOCATION	PART NUMBER
CONTRACTOR	DATE
ENGINEER APPROVAL	DATE

BALL VALVES

Model T-806

Working Pressure, Non Shock (PSI)

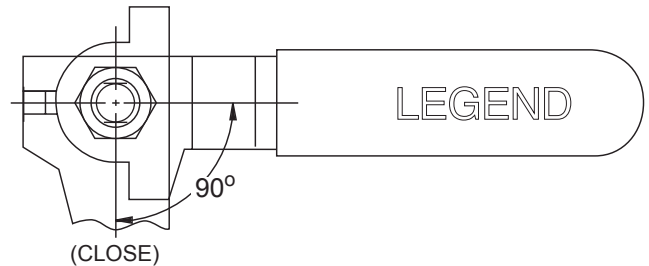
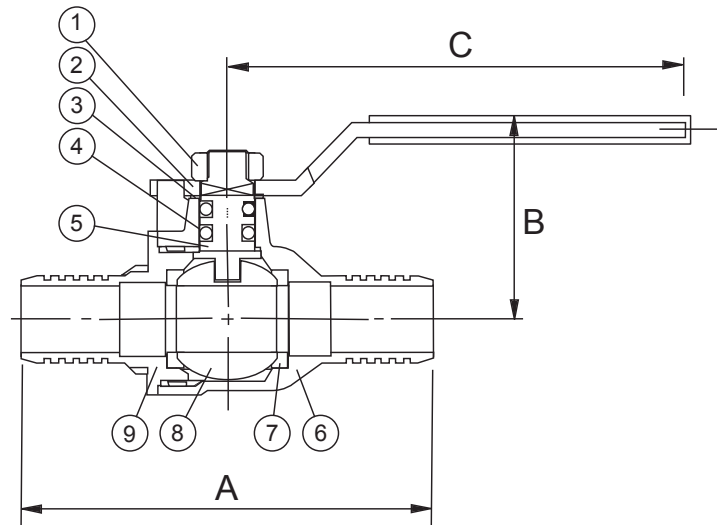
Cold working pressure (CWP): 400 CWP

Saturated steam (WSP): N/A

Pictured
Model T-806



Pictured
Model T-806
Cut-away



MATERIAL SPECIFICATION

PART	MATERIAL	SPECIFICATION
1	Nut	Steel S10C AISI-1010
2	Handle	Steel SS41 A283-D
3	Washer	PTFE Dupont Teflon
4	O-ring	Rubber Fluorinated Rubber
5	Stem	Forged Brass B124-C37700
6	Body	Forged Brass C3771B B124-C37700
7	Seats	PTFE Dupont Teflon
8	Ball	Chrome Plated Forged Bra C3604B B16-C36000
9	End Adapter	Forged Brass C3771B B124-C37700

*Teflon is a registered trademark of Dupont

DIMENSIONS

Size	A	B	D	C	CV Factor
1/2"	2.62	1.28	3.00	0.36	7.4
3/4"	2.80	1.40	3.00	0.54	13.4
1"	3.64	1.86	3.7	.72	27.0