

SUBMITTAL SHEET

JOB NAME	ITEM TAG
JOB LOCATION	PART NUMBER
CONTRACTOR	DATE
ENGINEER APPROVAL	DATE

FULL PORT PEX END BALL VALVE

T-805

Durable, compact forged brass body is ideal for confined plumbing installations. PEX crimp-type connections are not suitable for hydronic heating applications

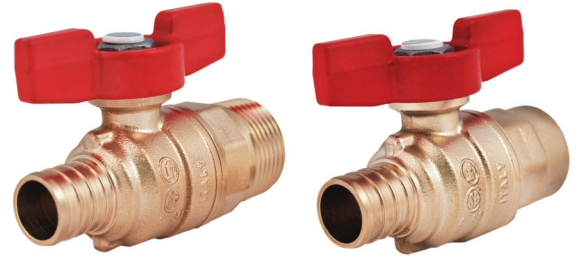
Maintenance-free dual O-ring, blowout-proof stem design is superior to gland-follower designs

MNPT or Sweat x PEX barb end connections permit transition from tubing or pipe, to PEX tubing conforming to ASTM F 876 or F 877

Self-cleaning chrome-plated ball resists mineral build-up and scaling in varying water conditions

T-handle permits low-torque, simple quarter-turn operation, and is ideal for confined piping or tubing applications

Available in nominal sizes 1/2" and 3/4"



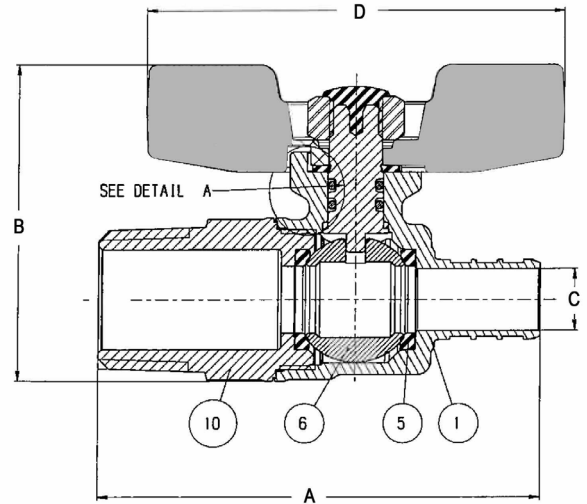
- Threaded ends comply with ANSI /ASME B1.20.1
- Sweat ends comply with ANSI / ASME B16.18
- PEX barb ends comply with ASTM F1807
- NSF approved to ANSI / NSF standard 61-8
- Manufactured in an ISO accredited facility



Working Pressure, Non Shock (PSI)

Cold working pressure (CWP):	400 psi
Saturated steam (WSP):	Not recommended for steam service

Pictured
MNPT x PEX T-805
Cut-away



MATERIAL SPECIFICATION

PART	MATERIAL	SPECIFICATION
1 Body	Forged brass	ASTM B124 UNS C37700
2 Stem	Chrome plated forged brass	ASTM B124 UNS C37700
3 Anti-friction thrust washer	PTFE	Dupont Teflon®
4 Stem O-rings (2)	Fluorocarbon	Dupont Viton®
5 Seats (2)	PTFE	Dupont Teflon®
6 Ball	Chrome plated forged brass	ASTM B124 UNS C37700
7 Anti-friction washer	PTFE	Dupont Teflon®
8 T-handle	Painted aluminum	ASTM B86
9 Handle nut, tamper evident	Dacromet coated steel	ASTM A510 UNS G10060
10 End adapter	Forged brass	ASTM B124 UNS C37700

DIMENSIONS

Size	A (MNPT x PEX)	A (SWT x PEX)	B	C	D	Wt. (lb)
1/2"	2.62	2.16	1.86	0.36	2.48	0.29
3/4"	2.90	2.68	2.12	0.54	2.48	0.45

