

# SUBMITTAL SHEET

JOB NAME	ITEM TAG
JOB LOCATION	PART NUMBER
CONTRACTOR	DATE
ENGINEER APPROVAL	DATE

## MALE X FEMALE LARGE-PORT BALL VALVE

### T-900 M x F and T-900 M x F-T

Durable forged brass construction

Space-saving male-by-female end connections are ideal for confined piping installations

T-handle equipped models can be used as gauge-cock isolation valves, without the gauge face obstruction associated with a lever-handle equipped valve

Bottom-loaded blowout-proof stem is a maintenance-free, dual O-ring seal design, eliminating the need to tighten a packing nut

Improved 3M Dyneon\* TFM PTFE seats and thrust washers provide enhanced sealing and isolation between the body and ball-stem-handle rotating assembly

Available in sizes 1/8" to 1" equipped with a lever handle or T-handle

#### Working Pressure, Non-Shock (PSI)

Cold working pressure (CWP): 1/8" to 3/4": 600  
1": 500

Saturated steam (WSP): 150 psi

MATERIAL SPECIFICATION		
Part	Material	Specification
1 Body	Forged brass	ASTM B124 UNS C37700
2 Stem	Chrome plated forged brass	ASTM B124 UNS C37700
3 Anti-friction thrust washer	TFM PTFE	3M Dyneon*
4 Stem O-ring (2)	Fluorocarbon	Dupont Viton***
5 Seat (2)	TFM PTFE	3M Dyneon*
6 Ball	Chrome plated forged brass	ASTM B124 UNS C37700
7 Anti-friction washer	TFM PTFE	3M Dyneon*
8 Handle	Dacromet coated steel with vinyl sleeve	ASTM A510 UNS G10060
(T-900 M x F-T-handle)	Coated aluminum	Commercial grade, die-cast
9 Handle nut	Dacromet coated steel with PVC resin lock	ASTM A510 UNS G10060
10 End adapter	Forged brass	ASTM B124 UNS C37700

DIMENSIONS T-900 M X F							
Size	A	B	C	D	E	F	CV†
1/8"	1.87	1.06	0.32	1.68	1.44	2.78	7.00
1/4"	1.95	1.06	0.32	1.68	1.44	2.86	7.63
3/8"	2.20	1.28	0.39	3.01	1.81	4.28	7.73
1/2"	2.50	1.33	0.50	3.01	1.91	4.46	11.78
3/4"	2.87	1.79	0.69	3.70	2.51	5.36	21.37
1"	3.37	1.96	0.89	3.70	2.87	5.60	41.93

DIMENSIONS T-900 M X F-T							
Size	A	B	C	D	E	F	CV†
1/8"	1.87	1.00	0.32	0.79	1.36	1.91	7.00
1/4"	1.95	1.00	0.32	0.79	1.36	1.99	7.63
3/8"	2.20	1.38	0.39	1.25	1.90	2.52	7.73
1/2"	2.50	1.42	0.50	1.25	2.01	2.69	11.78
3/4"	2.87	1.62	0.69	1.44	2.40	3.10	21.37
1"	3.37	1.80	0.89	1.44	2.72	3.34	41.93



- CSA Certified for use with natural, manufactured, mixed, liquefied petroleum and LP gas/air mixtures (sizes 1/2" to 1"):

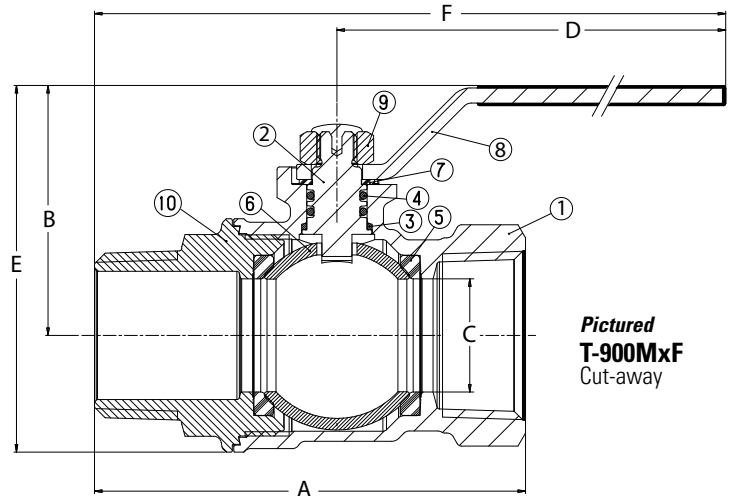
- ASME B16.44, for use as a manual shutoff valve in house piping systems up to 5 psig

- Threaded end connections conform to ANSI / ASME B1.20.1

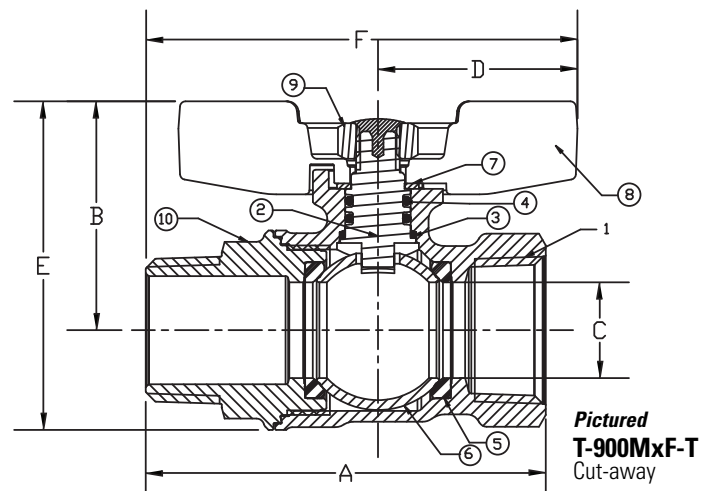
- Manufactured in an ISO accredited facility

- UL Listed 757X for fire protection sprinkler system service (sizes 1/2" to 1")\*\*:
- VQGU.EX4196 Valves, Trim and Drain

\*\*Reprinted from the Online Certifications Directory with permission from Underwriters Laboratories, Inc. Copyright© 2010 Underwriters Laboratories, Inc.®



**Pictured T-900MxF Cut-away**



**Pictured T-900MxF-T Cut-away**

\*Dyneon TFM is a registered trademark of the 3M company  
 \*\*\*Viton is a registered trademark of DuPont  
 †The CV Factor is the gallons of water per minute passed through the valve with a 1 PSI pressure drop