

# BRONZE Y-STRAINER

I.P.S. AND C x C

MODEL T-15

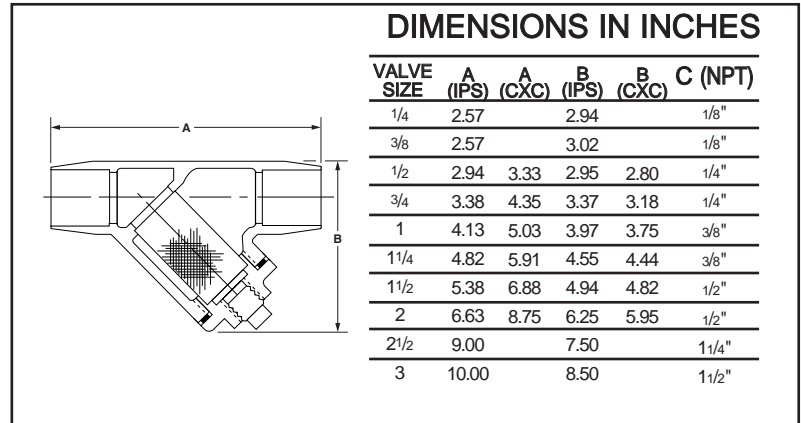


MODEL S-15

**LEGEND MODEL T-15** and **S-15** y-strainers are constructed of heavy duty bronze. They have a 20 mesh 304 stainless steel screen in sizes 1/4"-2" and a 1/16" perforated strainer in 2 1/2" and 3". The bronze retainer cap is gasketed and tapped for a closure plug (closure plug furnished). Install strainers upstream to protect valves, regulators, and meters, etc. from rust, pipe scale and dirt. Self cleaning can be accomplished by opening the valve or plug connected to the blow-off outlet.

MATERIAL SPECIFICATION	
PART	MATERIAL
BODY	BRONZE
CAP	BRONZE
SCREEN	304 STAINLESS STEEL

**PRESSURE RATING**  
300 W.O.G.  
150 W.S.P.



# FROSTFREE SILLCOCKS

STANDARD AND WITH INTEGRAL VACUUM BREAKER

**LEGEND MODELS T-551** standard frostfree sillcocks and **T-552** frostfree sillcocks with integral vacuum breaker are heavy chrome plated brass construction. The handle has an easy grip configuration and is constructed of hard plastic on the 551 and cast aluminum on the 552. The heavy brass operating worm drive provides the proper seal of washer to seat. The notched flange allows for stable installation.

MODEL T-551



MODEL T-552



**MODEL T-552 IS ASSE CERTIFIED 1019 & UPC MARKED IAPMO APPROVED**



The 1/2" size has combination 1/2" M.I.P. and 1/2" CxC inlet connection. The 3/4" size has combination 3/4" M.I.P. and 1/2" F.I.P. connection.