

BRONZE GLOBE VALVE

I.P.S.



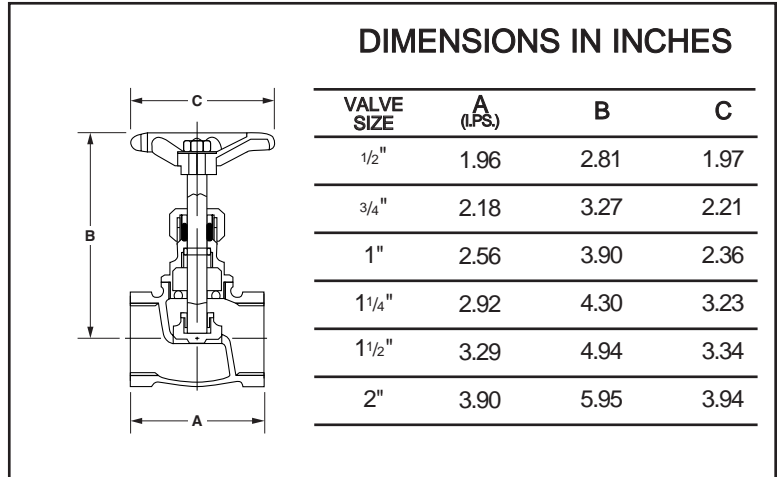
**MODEL
T-421**

LEGEND MODEL T-421 bronze globe valves have a screwed bonnet, rising stem, integral seat and swivel disc for accurate throttling and flow control. The body and bonnet are constructed of heavy duty bronze. Recommended for heavy industrial use when the valve is to be operated frequently

MATERIAL SPECIFICATION	
PART	MATERIAL
BODY	BRONZE
BONNET	BRONZE
STEM	FORGED BRASS
PACKING NUT	BRASS
DISC	BRASS
HAND WHEEL	ALUMINUM
WHEEL NUT	BRASS
GLAND	BRASS
GLAND PACKING	GRAPHITE/TEFLON*

PRESSURE RATING
200 W.O.G. NON-SHOCK
125 W.S.P.

*DUPONT REG T.M.



BRASS SWING CHECK VALVE

I.P.S. AND CxX



**MODEL
T-451**

**MODEL
S-451**



LEGEND MODELS T-451/S-451 check valves are constructed of heavy duty brass. They have a screwed cap, swing type disc and integral seat. They prevent backflow while offering full flow performance with a minimum of turbulence or pressure loss. Recommended for residential and commercial applications.

MATERIAL SPECIFICATION	
PART	MATERIAL
CAP	BRASS
BODY	BRASS
DISC	BRASS
HINGE PIN	BRASS
SCREW	BRASS

PRESSURE RATING
200 W.O.G. NON-SHOCK

