

# BRASS GATE VALVES

I.P.S. AND CxC

ISO-9002

**MODEL  
T-401**



**MODEL  
S-401**



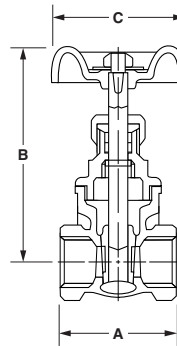
MATERIAL SPECIFICATION	
PART	MATERIAL
BODY	BRASS
BONNET	BRASS
STEM	BRASS
PACKING NUT	BRASS
DISC	BRASS
HAND WHEEL	CAST IRON
WHEEL NUT	BRASS
LOCK NUT	BRASS
GLAND	BRASS
PACKING	ASBESTOS FREE GRAPHITE

**PRESSURE RATING**  
200 W.O.G.  
NON-SHOCK to 200 F

**LEGEND MODELS T-401/S-401** gate valves are constructed of heavy duty cast brass. Body and bonnet are connected with a tight metal to metal leakproof seat. The T401/S-401 have a screwed bonnet, non-rising stem, solid wedge disc, and integral seats. Recommended for non-steam use in residential and commercial applications. May be repacked while in service under pressure.

The T-401/S-401 is the finest valve in its class on the market.

DIMENSIONS IN INCHES				
VALVE SIZE	A (I.P.S.)	A (CxC)	B	C
1/4"	1.62		3.27	2.13
3/8"	1.62		3.29	2.13
1/2"	1.69	1.77	3.52	2.13
3/4"	1.85	2.33	4.02	2.13
1"	2.13	2.76	4.57	2.40
1 1/4"	2.40	2.88	5.38	2.96
1 1/2"	2.44	3.19	6.03	2.96
2"	2.84	3.90	7.50	3.19
2 1/2"	3.51	4.53	9.25	4.14
3"	3.98	5.18	10.75	4.45
4"	4.57		12.60	5.20



# BRASS GATE VALVES

COMPACT PATTERN  
I.P.S. AND CxC

ISO-9002

**MODEL  
T-400**



**MODEL  
S-400**

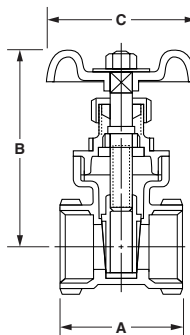


MATERIAL SPECIFICATION	
PART	MATERIAL
BODY	BRASS
BONNET	BRASS
STEM	BRASS
PACKING NUT	BRASS
DISC	BRASS
HAND WHEEL	CAST IRON
WHEEL NUT	BRASS
LOCK NUT	BRASS
GLAND	BRASS
PACKING	ASBESTOS FREE GRAPHITE

**PRESSURE RATING**  
200 W.O.G.  
NON-SHOCK to 200 F

**LEGEND MODELS T-400/S-400** gate valves are constructed of cast brass. Body and bonnet are connected with a tight metal to metal leakproof seat. They have a screwed bonnet, non-rising stem, solid wedge disc and integral seats. Recommended for non-steam use in residential and commercial applications. They are an excellent competitive alternative where port size is not critical.

DIMENSIONS IN INCHES				
VALVE SIZE	A (I.P.S.)	A (CxC)	B	C
1/2"	1.54	1.62	2.72	2.13
3/4"	1.73	2.13	2.92	2.13
1"	1.85	2.48	3.31	2.13
1 1/4"	2.09	2.64	3.86	2.40
1 1/2"	2.25	2.96	4.57	2.96
2"	2.40	3.51	4.93	2.96
2 1/2"	2.80		6.03	3.19
3"	3.43		7.33	4.14
4"	3.96		8.67	4.41



# BRASS GATE VALVES

CAST BRASS ECONOMY VERSION  
I.P.S. AND CXC



MODEL T-408



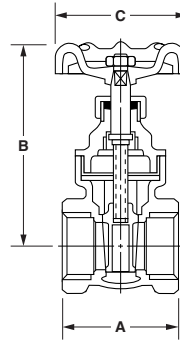
MODEL S-408

MATERIAL SPECIFICATION	
PART	MATERIAL
BODY	BRASS
BONNET	BRASS
STEM	BRASS
PACKING NUT	BRASS
DISC	BRASS
HAND WHEEL	CAST IRON
WHEEL NUT	BRASS
LOCK NUT	BRASS
GLAND	BRASS
PACKING	ASBESTOS FREE GRAPHITE

PRESSURE RATING  
200 W.O.G.  
NON-SHOCK to 200 F

**LEGEND MODELS T-408/S-408** gate valves are constructed of heavy duty cast brass. Body and bonnet are connected with a tight metal to metal leakproof seat. They have a screwed bonnet, non-rising stem, solid wedge disc, and integral seats. Recommended for non-steam use in residential applications. The T-408/S-408 is Legend's newest entry into the competitive gate valve market.

DIMENSIONS IN INCHES				
VALVE SIZE	A (I.P.S.)	A (CXC)	B	C
1/2"	1.71	1.69	2.92	2.01
3/4"	1.81	2.33	3.31	2.21
1"	2.13	2.72	3.90	2.56
1 1/4"	2.24	2.94	4.61	2.76
1 1/2"	2.44	3.29	5.08	3.11
2"	2.68	3.98	5.99	3.70
2 1/2"	3.70		6.90	4.02
3"	4.02		8.47	5.00
4"	4.53		9.89	5.00



# COMPRESSION END GATE VALVE

CAST BRASS



MODEL T-402

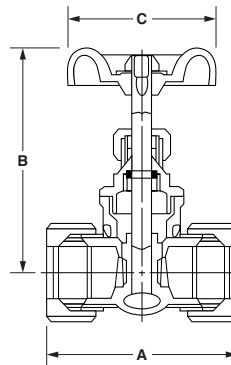
MATERIAL SPECIFICATION	
PART	MATERIAL
BODY	BRASS
BONNET	BRASS
STEM	BRASS
PACKING NUT	BRASS
DISC	BRASS
HAND WHEEL	CAST IRON
GLAND	BRASS
PACKING	ASBESTOS FREE GRAPHITE
COMPRESSION RING	BRASS TUBE
NUT	BRASS

PRESSURE RATING  
200 W.O.G.  
NON-SHOCK to 200 F

**LEGEND MODEL T-402** gate valves are the same construction as the T-401/S-401 but with labor saving compression ends. They have a screwed bonnet, non-rising stem, solid wedge disc, and integral seats. Recommended for non-steam use in residential and light commercial applications. May be repacked while in service under pressure.

Excellent for use as a repair valve.

DIMENSIONS IN INCHES			
VALVE SIZE	A	B	C
1/2"	2.52	3.39	2.13
3/4"	2.76	4.00	2.13
1"	3.15	4.45	2.40



# DRAINABLE GATE VALVE

CAST BRASS  
I.P.S. AND CxC



MODEL  
T-403

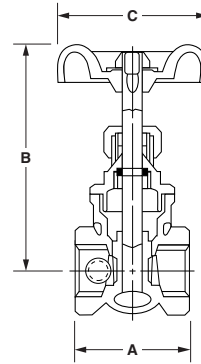


MODEL  
S-403

**LEGEND MODEL T-403/S-403** gate valves are the same construction as the T-401/S-401 but with a drain cap which allows the line to be drained to prevent freeze up. They have a screwed bonnet, non-rising stem, solid wedge disc, and integral seats. Recommended for non-steam use in residential and light commercial applications. May be repacked while in service under pressure.

MATERIAL SPECIFICATION	
PART	MATERIAL
BODY	BRASS
BONNET	BRASS
STEM	BRASS
PACKING NUT	BRASS
DISC	BRASS
HAND WHEEL	CAST IRON
GLAND	BRASS
PACKING	ASBESTOS FREE GRAPHITE
DRAIN CAP	BRASS
DRAIN PACKING	NYLON

**PRESSURE RATING**  
200 W.O.G.  
NON-SHOCK to 200 F



## DIMENSIONS IN INCHES

VALVE SIZE	A (I.P.S.)	A (CxC)	B	C
1/2"	1.69	1.77	3.42	2.13
3/4"	1.85	2.33	3.85	2.13
1"	2.21	2.84	4.64	2.40

# CPVC CONNECTION GATE VALVE

CAST BRONZE

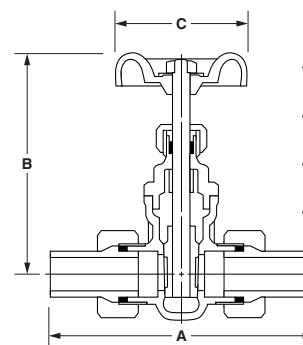


MODEL  
T-404

**LEGEND MODEL T-404** gate valves are constructed of heavy duty bronze. Body and bonnet are connected with a tight metal to metal leakproof seat. They come equipped with CPVC transition fittings for connection to CPVC copper tube size pipe. They have a screwed bonnet non-rising stem, solid wedge disc and integral seat. Recommended for residential application.

MATERIAL SPECIFICATION	
PART	MATERIAL
BODY	CAST BRONZE
BONNET	CAST BRONZE
STEM	BRASS
PACKING NUT	BRASS
DISC	BRONZE
HAND WHEEL	CAST IRON
GLAND NUT	BRASS
PACKING	TEFLON*
CPVC WASHERS	NBR (BUNA-N)
END NUTS	BRASS

**PRESSURE RATING**  
200 W.O.G.  
NON-SHOCK TO 210 F



## DIMENSIONS IN INCHES

VALVE SIZE	A	B	C
1/2"	5.12	3.35	1.97
3/4"	5.51	3.74	2.20

\*DUPONT REG T.M.