

Provide Instant Hot Water to the ENTIRE HOUSE when and where you need it! Thanks to the high efficiency ECM technology; the ACT-4 hot water recirculation kit only uses 20 watts of power and delivers INSTANT COMFORT.

- Saves on time and money
  - No recirculation line required
  - No electric outlet needed under the sink
  - No more wasted water, saves 12,000 gallons of water per year
- Pump installed at the hot water source
- Electronically paired valve installed under the sink farthest away from the hot water source
- Temperature and timer controlled
- Wireless communication between pump and valve

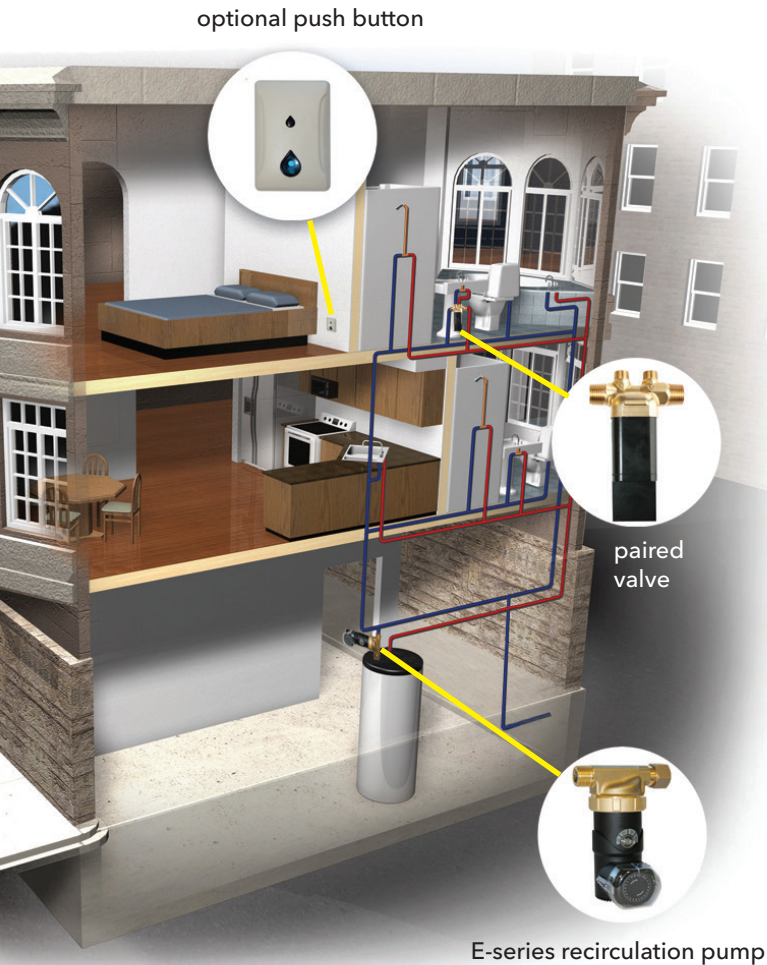


# ACT-4

## Potable Hot Water Recirculation Kit (RECIRCULATION PUMP & PAIRED VALVE)

# ACT-4

## Potable Hot Water Recirculation Kit



### Features

- E-series pump with energy efficient ECM based permanent magnet motor
- Operates on as little as 20 watts
- Operated via wireless communication
- Temperature and Timer controlled
- Optional Push Button Start
- Valve operates using two AA batteries
- No electrical outlet required under the sink
- No recirculation line needed

The ACT-4 is a hot water recirculation kit (recirculation pump and paired valve) for instant supply of hot water throughout the entire house.

Now you can have hot water in your home where and when you want it. No more waiting with the ACT-4 system. The pump and valve wirelessly communicate temperature data. The ACT-4 pump is installed on the supply side of the hot water source and the valve under the sink farthest from the hot water source.

### How it works

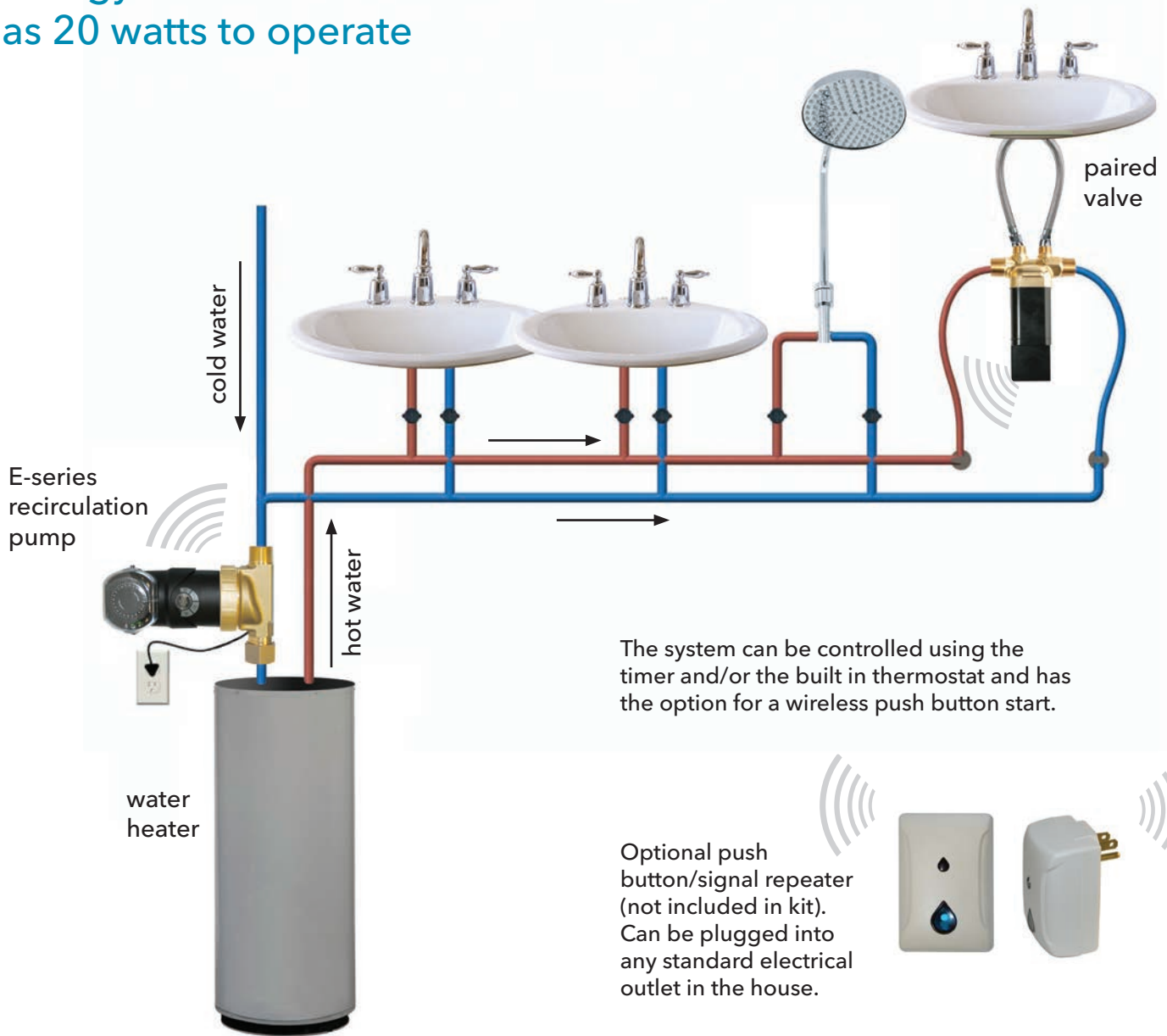
The desired water temperature at the valve is set remotely with the thermostat dial on the pump. A signal is sent to the ACT-4 pump to begin circulating hot water throughout the system. The valve tempers the cold water at the faucet/tap, providing instant hot water. When the set temperature is reached, a signal is sent to turn off the pump. This prevents continuous pump operation, thus saving energy. For additional energy savings, the pump can be set on timer based operation, to allow it to run only during time periods when hot water demand is high.

### Saves time and money

The ACT-4 pump requires as little as 20 watts to operate. The instant hot water delivery with the ACT-4 saves water and time. An optional push-button/signal repeater device is available to provide instant hot water with a touch of a button.

Push button operation overrides the timer operation and continues until the desired temperature is met at the valve. Acting in its secondary function, the signal repeater extends the range of data transmission between the pump and valve.

# Energy efficient - Uses as little as 20 watts to operate



The system can be controlled using the timer and/or the built in thermostat and has the option for a wireless push button start.

Optional push button/signal repeater (not included in kit). Can be plugged into any standard electrical outlet in the house.



## Operating Data

Maximum Operating Temperature: 203°F (95°C)  
Maximum Operating Pressure: 145 psi (10 Bar)  
Power Supply: 115 V/1 Ph/ 60 Hz  
Power Input: 20 Watts  
Operating Current: 0.3 Amps  
Motor RPM: 4800  
Operating Noise Level: 30dB  
Batteries: 2 AA Alkaline  
Estimated Battery Life: 2 years  
Maximum Transmitter Range: 150 ft (45 meters)

## Materials of Construction

### Pump

Body: Lead Free\* Brass  
Seals: EPDM  
Impeller: Nylon/PPO  
Internals: 316 Stainless Steel  
Check Valve: Acetal Plastic

### Paired Valve

Body: Lead Free\* Brass  
Springs: Stainless Steel  
Valve Insert: Acetal Plastic  
Seals: EPDM  
Transmitter Housing: ABS Plastic



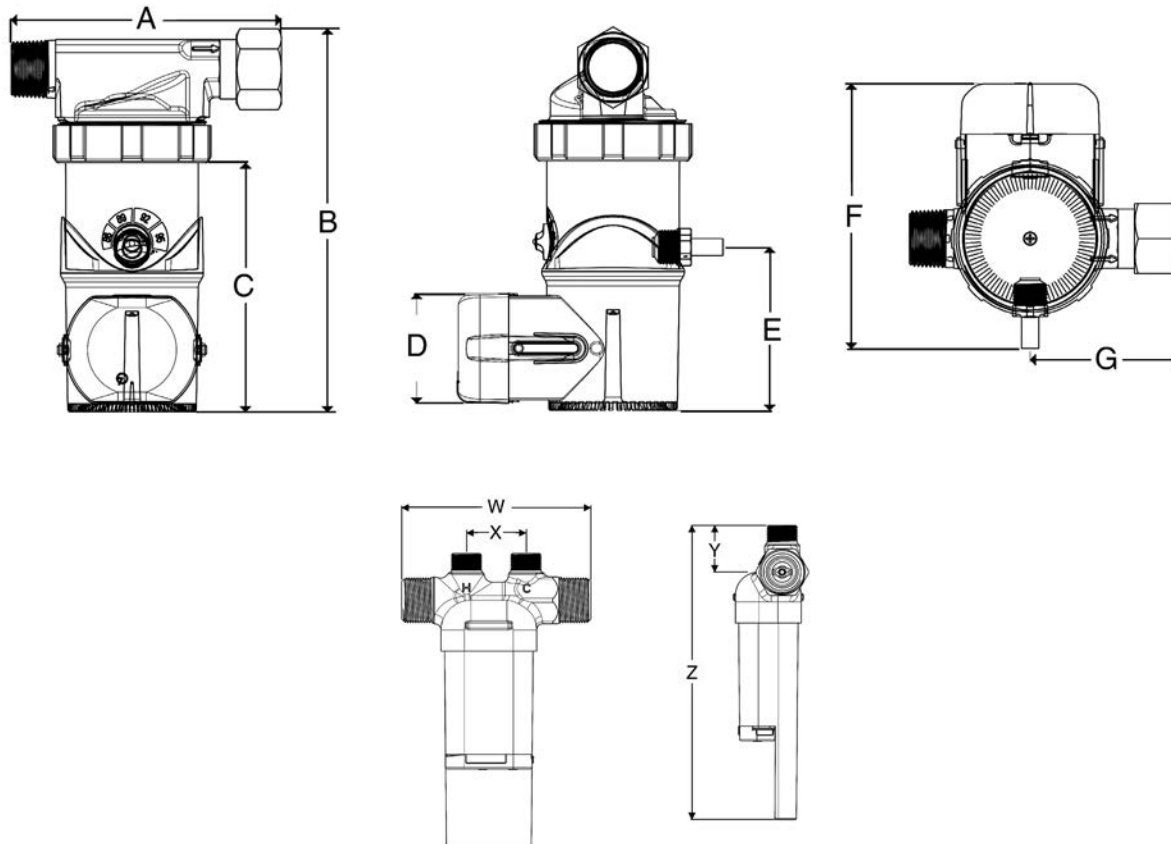
\* CSA certified to NSF/ANSI 372 that product contains less than 0.25% lead content by weight on wetted surfaces.

# ACT-4 Hot Water Recirculation Kit

## Dimensions and Weight

Model Number	Part Number	Connection
ACT-4 kit	6050E4050	Pump: 3/4" M/F NPT Valve: 1/2" MNPT x 3/8" compression
push button/signal repeater	6099E1550	Standard 115V Power Outlet

Dimension Inches (mm)											Shipping WT. LBS. (kg)
A	B	C	D	E	F	G	W	X	Y	Z	
4.84 (123)	6.87 (174.6)	4.47 (113.5)	1.97 (50.1)	2.93 (74.4)	4.74 (120.5)	2.68 (68)	3.5 (89)	1.1 (28)	0.87 (22)	5.45 (138.5)	3.9 (1.8)



Xylem Inc.  
3878 S. Willow, Suite 104  
Fresno, CA 93725  
Tel: (559) 265-4730 (800) 554-6853  
Fax: (559) 265-4740 (800) 453-7523  
[www.lainginc.com](http://www.lainginc.com)

Laing Thermotech is a trademark of Xylem Inc. or one of its subsidiaries.  
© 2014 Xylem Inc. BR-35B November 2014