
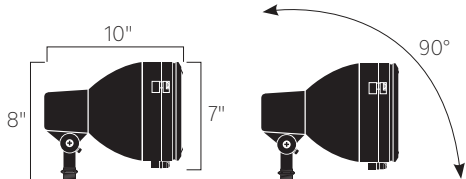
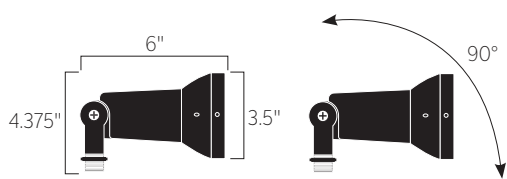
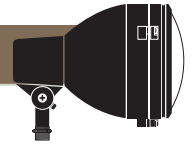




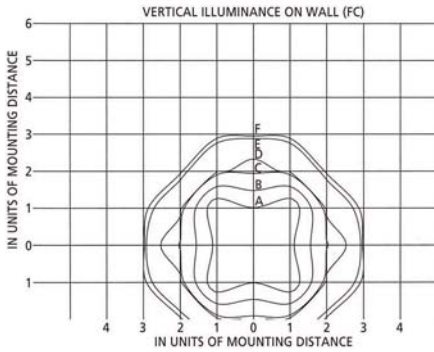
	Large Accent		Small Compact
Finishes	AZT (shown), BKT	Additional Finishes	AZT
Item Number and Finish	15251 AZT 15251 BKT	 BKT	15230 AZT
Housing	Cast Aluminum with tempered convex glass lens.		Cast Aluminum
Lamp Base	4000V (4kV) pulse-rated, medium base porcelain socket		
Lamp Options-Power usage at 12V AC input	Incandescent: 175W Max. PAR38 Metal Halide, 100W Max. E17 Metal Halide or 150W Max. PAR38/R40 Incandescent. Reflector: for use with E17 lamp. Removable for PAR38/R40 use.	LED: 17W PAR38 Wet (18093-18098) Compares up to 75W Halogen	Incandescent: 35W Max. PAR20 Metal Halide or 50W Max. PAR20 Incandescent
Wiring	8" of usable 200°C, 18 AWG wire leads		
Notes	Accents require remote ballasts for High Intensity Discharge. For 120V lamp guide and lamp photometrics, see page 212.		
Accessories	Mounting: 15276 BK Power Post® 15601 Surface Mounting Bracket 15609 Junction Box Mounting Bracket		
	Lenses: 15620 Medium Cowl 15628 Long Cowl	15623 Blue Filter 15637 Hexcell Louver	Lenses: 15630 Cowl with tempered glass lens
Dimensions			

Photometrics: 120V Retrofit Accent

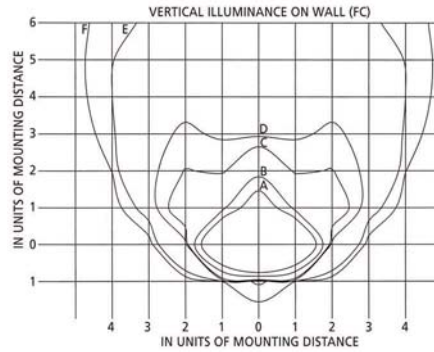
15251 – 75W Metal Halide



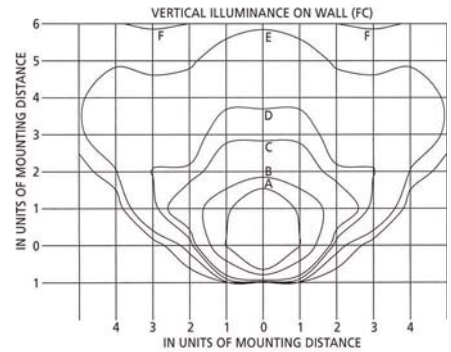
Clear ED17 Metal Halide based on 5000 lumens per lamp



0° Angle

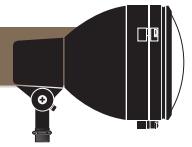


30° Angle

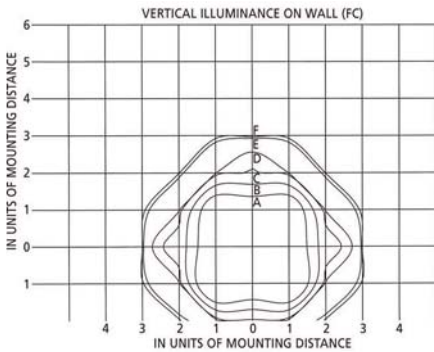


45° Angle

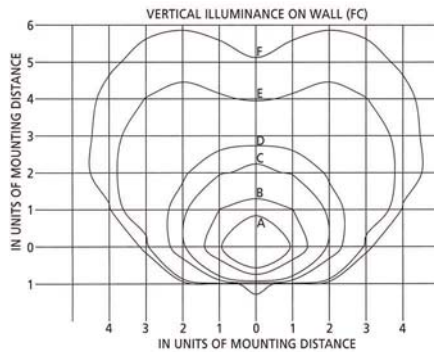
15251 – 100W Metal Halide



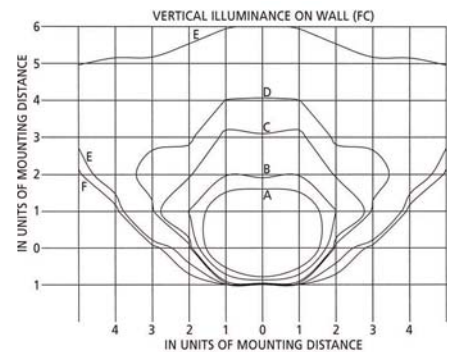
Clear ED17 Metal Halide based on 9000 lumens per lamp



0° Angle

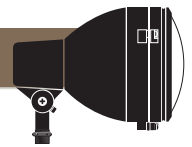


30° Angle

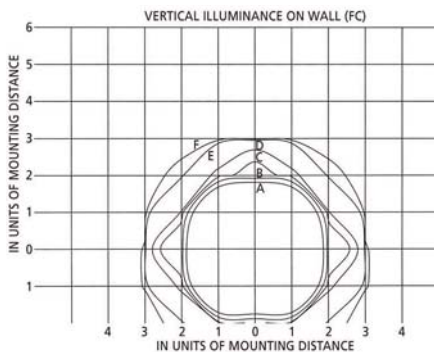


45° Angle

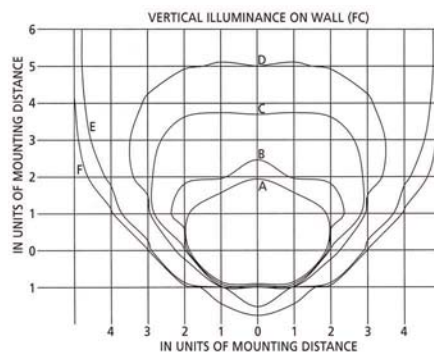
15251 – 175W Metal Halide



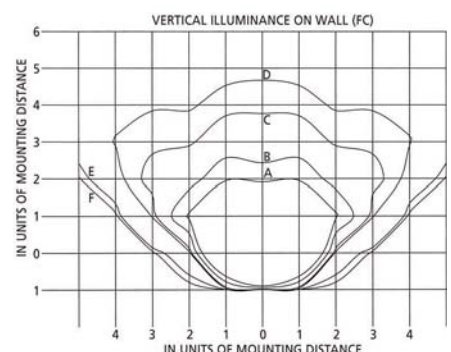
Clear ED17 Metal Halide based on 14,000 lumens per lamp



0° Angle



30° Angle



45° Angle