

CSA, ULI

RIGID PVC CONDUIT FITTINGS

FSC-3-050710 TRIPLE GANG BOXES, 278068

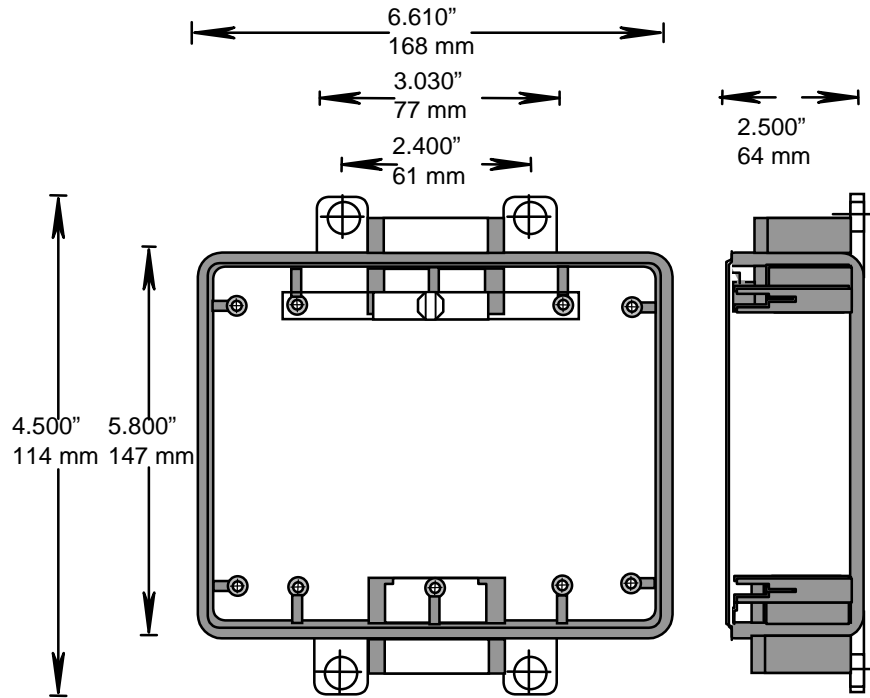
ISSUE DATE:

DATE D'EMISSION: 2004 10 30

SUPERCEDES:

REPLACE: 2003 01 15

2



Wall thickness for all boxes=0.188 in. (or 4.8mm)

COMPONENTS

| DESCRIPTION | PART NUMBER | SIZE | QUANTITY |
|-------------------------|-------------|--------------|----------|
| REGULAR INSERT | 072537 | 6-32 | 7 |
| COLLAR INSERT | 072536 | 6-32 | 3 |
| SCREW, HEXHEAD COMB | 072511 | 10-32 X 5/16 | 1 |
| REDUCER BUSHINGS | 097554 | 3/4 X 1/2 | 2 |
| REDUCER BUSHINGS | 097979 | 1X 3/4 | 2 |
| TRIPLE GANG GROUND CLIP | 172258 | 3 | 1 |

Filename: KRALOY-70.doc
Directory: \\Bersrvbdc\bergen\QC MANUAL
Template: C:\Documents and Settings\joelau\Application
Data\Microsoft\Templates\Normal.dot
Title: SOCKET DIMENSION
Subject:
Author: joe lau
Keywords:
Comments:
Creation Date: 8/22/2002 12:42 PM
Change Number: 4
Last Saved On: 10/21/2004 4:16 PM
Last Saved By: Joe Lau
Total Editing Time: 7 Minutes
Last Printed On: 8/8/2005 12:26 PM
As of Last Complete Printing
Number of Pages: 1
Number of Words: 51 (approx.)
Number of Characters: 295 (approx.)